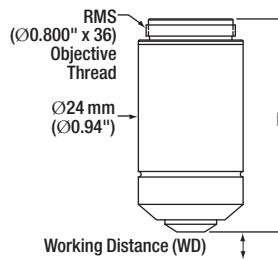


## Visible Imaging Objectives



### Features

- Infinity Corrected
- 4X, 10X, 20X, or 40X Magnification
- Achromatic Objective



Please refer to our website for complete models and drawings.

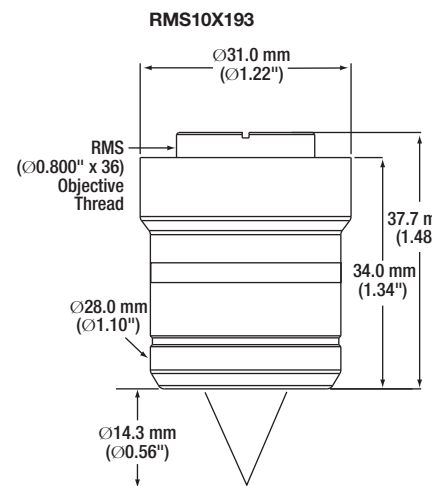
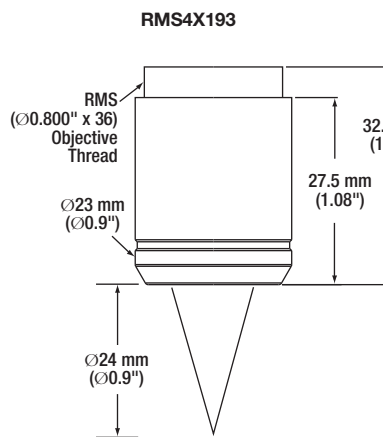
Thorlabs offers a line of RMS-threaded, infinity-corrected, imaging objectives. Optimized for brightfield imaging, these objectives provide superb field flatness. They are achromatically designed and have an ultra wide antireflection coating. Our imaging objectives, unlike our focusing objectives, typically feature shorter working distances and an AR coating for the visible spectrum.

ITEM#	\$	£	€	RMB	MAGNIFICATION	NA	EFL	WD	LENGTH
RMS4X	\$ 175.40	£ 121.60	€ 155.80	¥ 1,481.10	4X	0.10	45 mm	18.5 mm	30.9 mm
RMS10X	\$ 371.30	£ 257.40	€ 329.70	¥ 3,135.30	10X	0.25	18 mm	10.6 mm	38.8 mm
RMS20X	\$ 430.40	£ 298.40	€ 382.20	¥ 3,634.40	20X	0.40	9 mm	1.2 mm	48.5 mm
RMS40X	\$ 779.30	£ 540.30	€ 691.90	¥ 6,580.50	40X	0.65	4.5 mm	0.6 mm	48.8 mm

## UV Focusing Objectives, RMS Series



RMS10X193



Please refer to our website for complete models and drawings.

The RMS series of focusing objectives includes two infinity-corrected objectives designed to provide diffraction-limited performance at 193 nm. The objectives are made out of high-quality, certified excimer-grade fused silica with transmission in excess of 99% at 193 nm. The optical elements in the UV focusing objectives are air-spaced so that they are suitable for use with high-power UV lasers. The lenses have a large entrance aperture to ensure that the laser beam is not clipped and also feature a long working distance so that ablated material is not deposited on the front lens surface.

ITEM#	\$	£	€	RMB	MAGNIFICATION	NA	EFL	ENTRANCE APERTURE*
RMS4X193	\$ 999.60	£ 693.00	€ 887.50	¥ 8,440.70	3.7X	0.11	42 mm	Ø10 mm
RMS10X193	\$ 1,648.00	£ 1,142.50	€ 1,463.00	¥ 13,916.00	10X	0.24	17.8 mm	Ø9 mm

\*Maximum beam diameter for diffraction-limited performance.

## RMS-Threaded Adapters

Many of our objectives are externally RMS-threaded as this is a popular microscopy threading. Threading adapters allow these objectives to mate to non-RMS-threaded components, making them usable in a variety of applications. Internally RMS-threaded adapters are available with external M25 x 0.75, SM1, or M27 x 0.75 threads.



SM1A3

ITEM#	\$	£	€	RMB	DESCRIPTION
RMSA1	\$ 19.00	£ 13.20	€ 16.90	¥ 160.50	External M25-0.75 to Internal RMS Adapter
SM1A3	\$ 16.75	£ 11.70	€ 14.90	¥ 141.50	External SM1 to Internal RMS Adapter
RMSA3	\$ 20.00	£ 13.90	€ 17.80	¥ 168.90	External M27-0.75 to Internal RMS Adapter