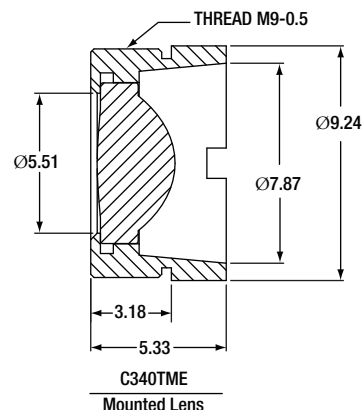
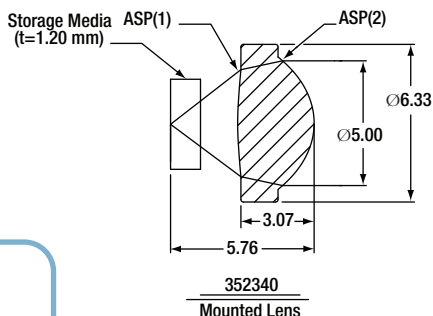


Please See Page 626 for AR Coating Curve

352340 f = 4.03 mm and 0.62 NA



Geltech™ Molded Glass Aspheric Lens

Optical Design Specifications

- Design Wavelength: 685 nm
- Numerical Aperture: 0.62
- Clear Aperture: Ø5.00 mm
- Effective Focal Length: 4.03 mm
- Magnification: Infinite
- Working Distance: 2.69 mm
- Storage Media Thickness: 1.20 mm
- Storage Media Material/Index: K3/1.5131
- RMS WFE (Axial @ 632.8 nm):* <Diffraction Limit
- Surface Quality: 40-20 Scratch-Dig
- Glass (Corning): ECO-550

*Wavefront error is averaged over full aperture
Geltech™ lenses are manufactured by LightPath® Technologies

Aspheric Coefficients

All Dimensions are in Millimeters
Please refer to our website for complete models and drawings.

	R	k	A ₄	A ₆	A ₈	A ₁₀
ASP (1)	-14.41	-	3.9892954E-03	-1.5009163E-04	5.0538191E-06	-
ASP (2)	2.65	-0.4502779	4.1972280E-04	-4.5247890E-05	-2.6067483E-06	-6.6658970E-08

Unmounted, AR-Coated Aspheric Lenses

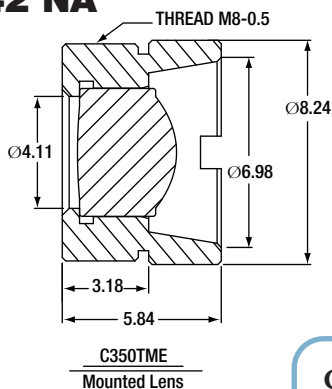
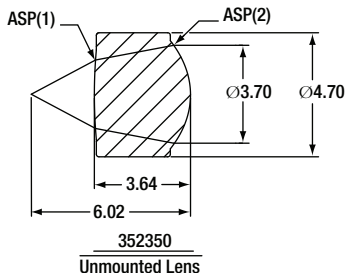
ITEM#	\$	£	€	RMB	DESCRIPTION
352340-A	\$ 82.00	£ 56.90	€ 72.90	¥ 692.50	Lens, AR-Coated: 350 - 700 nm
352340-B	\$ 82.00	£ 56.90	€ 72.90	¥ 692.50	Lens, AR-Coated: 650 - 1050 nm
352340-C	\$ 82.00	£ 56.90	€ 72.90	¥ 692.50	Lens, AR-Coated: 1050 - 1620 nm

Mounted, AR-Coated Aspheric Lenses

ITEM#	\$	£	€	RMB	DESCRIPTION
C340TME-A	\$ 87.00	£ 60.40	€ 77.30	¥ 734.70	Mounted Lens, AR-Coated: 350 - 700 nm
C340TME-B	\$ 87.00	£ 60.40	€ 77.30	¥ 734.70	Mounted Lens, AR-Coated: 650 - 1050 nm
C340TME-C	\$ 87.00	£ 60.40	€ 77.30	¥ 734.70	Mounted Lens, AR-Coated: 1050 - 1620 nm

352350 f = 4.50 mm and 0.42 NA

NEW versions



All Dimensions are in Millimeters
Please refer to our website for complete models and drawings.

Aspheric Coefficients

	R	k	A ₄	A ₆	A ₈	A ₁₀
ASP (1)	-19.14	-	-	-	-	-
ASP (2)	2.88	-1.003315	2.1823836E-03	2.3730881E-05	-4.5109539E-06	-

Unmounted, AR-Coated Aspheric Lenses

ITEM#	\$	£	€	RMB	DESCRIPTION
352350-A	\$ 73.00	£ 50.70	€ 64.90	¥ 616.50	Lens, AR-Coated: 350 - 700 nm
352350-B	\$ 73.00	£ 50.70	€ 64.90	¥ 616.50	Lens, AR-Coated: 650 - 1050 nm
352350-C	\$ 73.00	£ 50.70	€ 64.90	¥ 616.50	Lens, AR-Coated: 1050 - 1620 nm

Mounted, AR-Coated Aspheric Lenses

ITEM#	\$	£	€	RMB	DESCRIPTION
C350TME-A	\$ 78.00	£ 54.10	€ 69.30	¥ 658.70	Mounted Lens, AR-Coated: 350 - 700 nm
C350TME-B	\$ 78.00	£ 54.10	€ 69.30	¥ 658.70	Mounted Lens, AR-Coated: 650 - 1050 nm
C350TME-C	\$ 78.00	£ 54.10	€ 69.30	¥ 658.70	Mounted Lens, AR-Coated: 1050 - 1620 nm

Geltech™ Molded Glass Aspheric Lens

Optical Design Specifications

- Design Wavelength: 980 nm
- Numerical Aperture: 0.42
- Clear Aperture: Ø3.70 mm
- Effective Focal Length: 4.50 mm
- Magnification: Infinite
- Working Distance: 2.38 mm
- Surface Quality: 40-20 Scratch-Dig
- Glass: ECO-550

*Wavefront error is averaged over full aperture
Geltech™ lenses are manufactured LightPath® Technologies