

## Kinematic Mount with Gimbal Action



KX1G

Removable Ø1"  
Optic Carriage

- True Gimbal Design Achieves Pure Rotational Motion About the Mirror Surface
- Superior Kinematic Performance Without Crosstalk
- ±4° Angular Range, Pitch/Yaw
- 100 TPI Precision Lockable Adjusters Provide 7 mrad of Rotation per Revolution
- Hardened Inserts at All Wear Points for Durability and Stability
- Extra Thick Frame Minimizes Unwanted Deflection when the Position is Adjusted
- Accepts Mirrors up to 0.28" (7.1 mm) Thick

The KX1G Mirror Mount offers superior performance with true gimbal action. This design utilizes a pivot hemisphere whose radius of curvature is coincident with the center of a mounted Ø1" (Ø25.4 mm) mirror. This allows the mount to provide the pure rotational motion of a gimbal mount and the performance and stability associated with a kinematic mount. The removable mirror holder simplifies mounting or replacing mirrors. High-precision, 100 TPI adjusters are lockable with a unique collet and jam-nut design that virtually eliminates drift during tightening. Optical setups are simplified by using this mount, as the axis of rotation for the post is in the same plane as the mirror's front surface. This configuration avoids the typical beam walk off that is associated with the rotation of most mirror mounts and eliminates the need to constantly relocate the mount's position on the optical table.

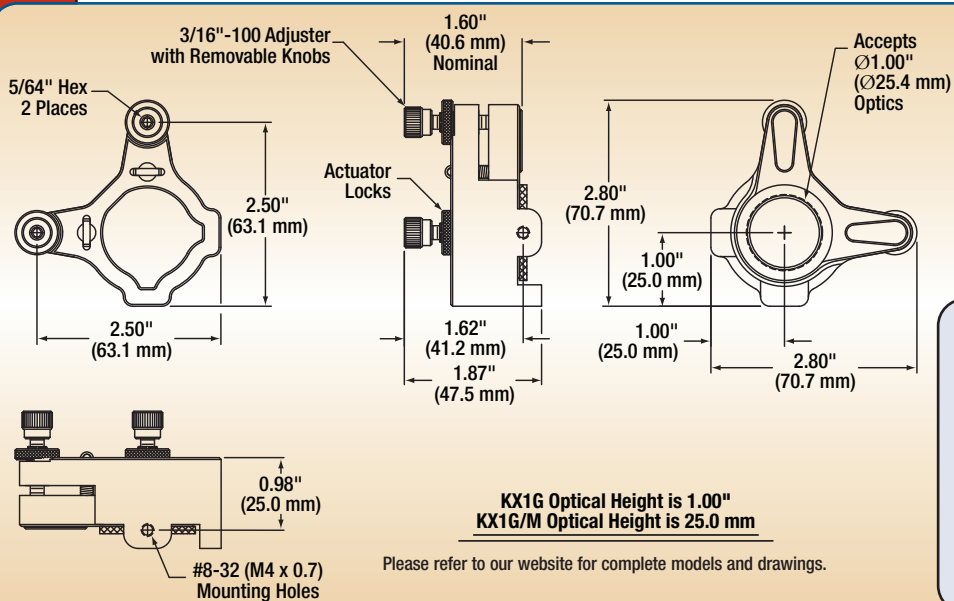


The optical height on the KX1G is exactly 1.00" while the optical height of the KX1G/M is exactly 25.0 mm.



### Performance Features

- Gimbal Motion is Achieved by Placing the Central Pivot Point Directly Behind the Mirror
- Advanced Body Design Utilizes Finite Element Analysis Techniques to Enhance Frame Rigidity
- Easy Access Locking Mechanism Virtually Eliminates Mirror Movement when Switching from the Unlocked to Locked Position



The unique collet locking mechanism prevents undesirable movement typical of many locking approaches. This dually serves as a variable tensioner, allowing adjustment of the torsional stiffness of the adjuster knobs.

### Unique Collet Locking Design



ITEM#	METRIC ITEM#	\$	£	€	RMB	DESCRIPTION
KX1G	KX1G/M	\$ 152.00	£ 105.40	€ 135.00	¥ 1,283.50	High-Performance, Kinematic Gimbal Mirror Mount