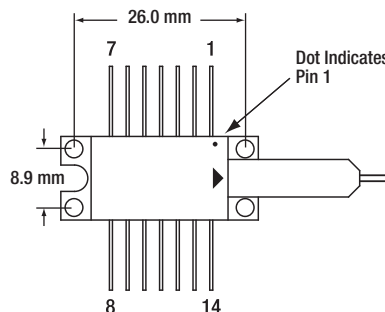
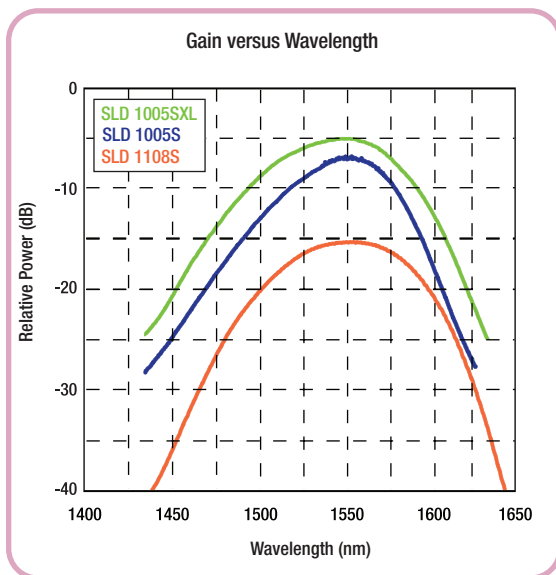


# 1550 nm Superluminescent Diodes

Superluminescent Diodes (SLDs) are excellent high-power, broadband light sources for use as ASE Light Sources and in applications like Optical Coherence Tomography (OCT) Imaging Systems and Fiber Optic Gyroscopes (FOGs). The SLDs offered here are Indium Phosphide (InP) devices manufactured by Covega, Thorlabs' Quantum Electronics Division. They are available in either a standard butterfly or dual in-line (DIL) package. Each device has an integrated thermoelectric cooler (TEC) and thermistor to ensure output stability. The output is coupled into an SM fiber with an FC/APC connector.

Our SLDs are available in standard or premium versions. These premium SLDs, denoted with the suffix XL, are hand-picked to provide higher bandwidth and power.

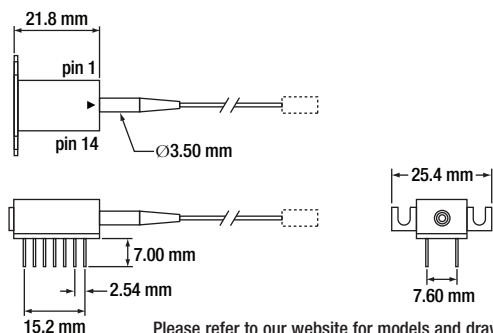
Typical Power versus Current, Voltage versus Current, and Emission Intensity (AU) versus Wavelength plots for each superluminescent diode model are available on our website: [www.thorlabs.com](http://www.thorlabs.com).



Pin Description	
1 +TEC	14 -TEC
2 Thermistor	13 Case
3 NC	12 NC
4 NC	11 Dev Cathode
5 Thermistor	10 Dev Anode
6 NC	9 NC
7 NC	8 NC

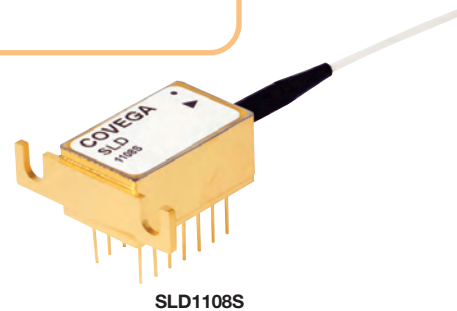
### Features

- Standard Butterfly Package
- Integrated TEC Element and Thermistor
- SM Fiber Coupled Output
- FC/APC Connector



Please refer to our website for models and drawings

Pin Description	
1 +TEC	14 -TEC
2 NC	13 Case Ground
3 NC	12 Thermistor
4 NC	11 Thermistor
5 SLED	10 NC
6 NC	9 SLED Cathode
7 PD Cathode	8 PD Anode



### Optical-Electrical Characteristics

ITEM#	Parameter	Symbol	SLD1108S			SLD1005S			SLD1005SXL		
			Min	Typical	Max	Min	Typical	Max	Min	Typical	Max
	Center Wavelength	$\lambda$	1530 nm	1550 nm	1570 nm	1530 nm	1550 nm	1570 nm	1535 nm	1550 nm	1565 nm
	ASE Power		2 mW	2.5 mW	-	20 mW	22 mW	-	22 mW	-	-
	Optical Bandwidth	BW	85 nm	90 nm	-	45 nm	50 nm	-	55 nm	-	-
	RMS Gain Ripple	$\Delta G$	-	-	0.25 dB	-	0.2 dB	0.35 dB	-	0.2 dB	0.35 dB
	Operating Current	$I_{OP}$	-	450 mA	550 mA	-	600 mA	800 mA	-	600 mA	800 mA
	Forward Voltage	$V_F$	-	1.6 V	2.0 V	-	1.4 V	1.6 V	-	1.4V	1.6 V

ITEM#	\$	£	€	RMB	DESCRIPTION
SLD1108S	\$ 1,450.00	£ 1,005.00	€ 1,287.50	¥ 12,244.00	2 mW SLD, CWL = 1550 nm, DIL Pkg, SM Fiber, FC/APC
SLD1005S	\$ 1,677.50	£ 1,163.00	€ 1,489.50	¥ 14,165.00	20 mW SLD, CWL= 1550 nm, Butterfly Pkg, SM Fiber, FC/APC
SLD1005SXL	\$ 3,355.00	£ 2,326.00	€ 2,978.50	¥ 28,330.00	22 mW SLD, CWL= 1550 nm, Butterfly Pkg, SM Fiber, FC/APC