

## Self-Contained, Red (632.8 nm) Helium-Neon Lasers

These compact, self-contained Helium-Neon lasers integrate a red (632.8 nm) HeNe laser tube with a built-in switchable power supply. They are the ideal choice for applications, such as alignments, that require a small, low-power laser. The rugged enclosure includes four #4-40 mounting holes for easy attachment of accessories.

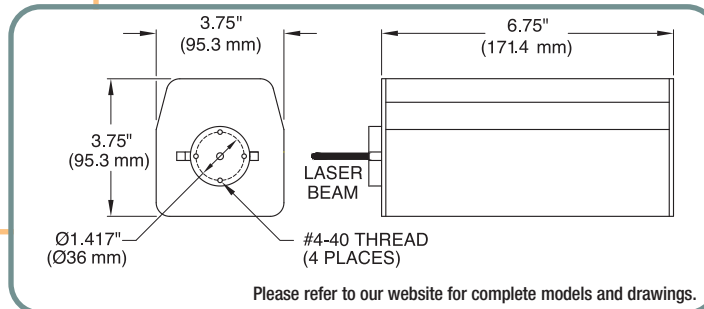
### Features

- Ideal for Alignment Applications
- Available in Polarized and Random Polarization Versions
- Built-in Switchable Beam Block and Power Supply
- CE Compliant
- Improved Start-up Circuit
- Four #4-40 Tapped Mounting Holes for Easy Attachment of Accessories

Switchable  
(110/230 VAC) Power  
Supply Included



HRP005S



ITEM#	$\lambda$	\$	£	€	RMB	POWER	DESCRIPTION	POLARIZATION
HRP005S	632.8 nm	\$ 887.00	£ 614.90	€ 787.50	¥ 7,489.90	0.5 mW	HeNe Laser System, 633 nm, 0.5 mW, Polarized	Linear >500:1
HRR005S	632.8 nm	\$ 855.00	£ 592.80	€ 759.10	¥ 7,219.70	0.5 mW	HeNe Laser System, 633 nm, 0.5 mW, Random	Random

## Low-Power, Compact, Red (632.8 nm) Helium-Neon Lasers 0.5 mW to 2.0 mW

### Low-Power and Compact HeNe Laser Features

- Cylindrical Tube Mounts Easily into Optical Systems
- Four #4-40 Tapped Mounting Holes for Easy Attachment of Accessories
- Keyed Power Supply with Built-in Interlock Included
- CE Compliant

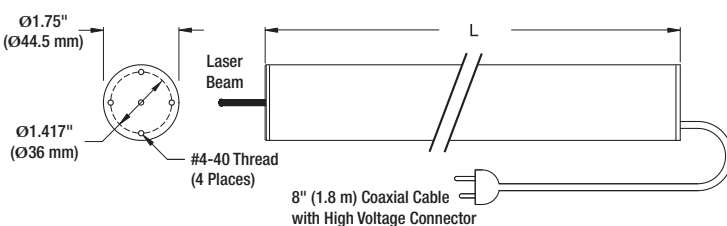
Post and Mount  
Not Included

HRR005

Mechanical  
Drawings Available on the  
**WEB**

Switchable  
(110/230 VAC) Power  
Supply Included

**LASER RADIATION**  
AVOID DIRECT EYE EXPOSURE  
CLASS 3R LASER PRODUCT  
543-700nm <5mw  
IEC 60825-1 EDITION 1:2 2001-08



These cylindrical, low-power, red (632.8 nm) Helium-Neon lasers range in power from 0.5 to 2.0 mW. The classic tube design makes it easy to mount in nearly any optical system. The HeNe laser comes with a built-in interlock for safety. Thorlabs offers the 632.8 nm laser with either linear (>500:1) or random polarization and beam divergences ranging from 1.00 to 1.41 mrad.

ITEM#	POWER	POLARIZATION	L	\$	£	€	RMB	1/e <sup>2</sup> BEAM DIAMETER	BEAM DIVERGENCE	LONGITUDINAL MODE SPACING
HRR005	0.5 mW	Random	7.00"	\$ 948.00	£ 657.20	€ 841.70	¥ 8,005.00	0.57 mm	1.41 mrad	1082 MHz
HRP008	0.8 mW	Linear >500:1	7.00"	\$ 1,018.00	£ 705.70	€ 903.80	¥ 8,596.10	0.57 mm	1.41 mrad	1082 MHz
HRP015	1.5 mW	Linear >500:1	9.50"	\$ 1,038.00	£ 719.60	€ 921.60	¥ 8,764.90	0.64 mm	1.25 mrad	714 MHz
HRR015	1.5 mW	Random	7.00"	\$ 998.00	£ 691.90	€ 886.10	¥ 8,427.20	0.57 mm	1.41 mrad	1082 MHz
HRP020	2.0 mW	Linear >500:1	13.00"	\$ 996.00	£ 690.50	€ 884.30	¥ 8,410.30	0.81 mm	1.00 mrad	566 MHz
HRR020	2.0 mW	Random	13.00"	\$ 950.00	£ 658.60	€ 843.50	¥ 8,021.90	0.81 mm	1.00 mrad	566 MHz