

Ø1.5" Compact P-Series Post Clamp

The C1500 Post Clamp allows optic mounts with #8-32 (M4 x 0.7) tapped mounting holes to be attached to a Ø1.5" post. As an added feature, the angle of the optic mount can be set while the knurled knob is used to thread the device onto the C1500. Four holes are provided on the knob to allow a 5/64" (2.0 mm) hex wrench to be used as a torque wrench to provide final locking.



Ø1.5" Counterbore

C1500

KC1 Kinematic Mount
and Post Sold Separately
See Pages 165 and 100

ITEM#	METRIC ITEM#	\$	£	€	RMB	DESCRIPTION
C1500	C1500/M	\$ 65.00	£ 45.10	€ 57.80	¥ 548.90	Compact Post Clamp

Ø1.5" Mounting Post Cage Adapter

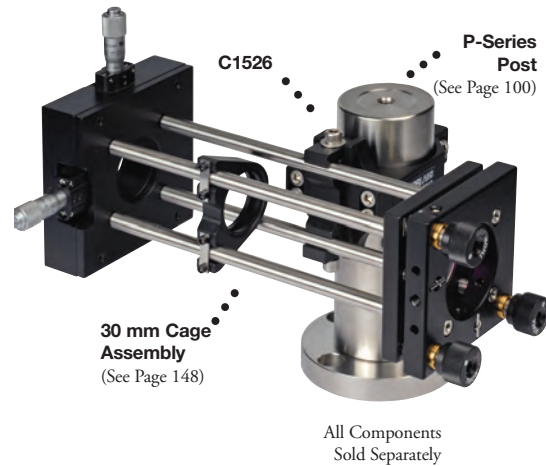
The C1516, C1526, and C1560 Mounting Post Cage Adapters mount our 16, 30, and 60 mm cage assemblies securely to our Ø1.5" P-Series posts. A quick-connect mechanism is activated by a single hex wrench for fast drop-in/drop-out of cage assemblies.

- Quick-Connect Cage Clamp
- Easy Drop-In/Drop-Out of 16, 30, and 60 mm Cage Systems
- Single Locking Screw Allows One-Handed Operation



C1526

P-Series Post Not Included



30 mm Cage
Assembly
(See Page 148)

All Components
Sold Separately

ITEM#	METRIC ITEM#	\$	£	€	RMB	DESCRIPTION
C1516	C1516/M	\$ 79.00	£ 54.80	€ 70,20	¥ 667.10	16 mm Cage to Ø1.5" Mounting Post Clamp
C1526	C1526/M	\$ 71.00	£ 49.30	€ 63,10	¥ 599.60	30 mm Cage to Ø1.5" Mounting Post Clamp
C1560	C1560/M	\$ 79.00	£ 54.80	€ 70,20	¥ 667.10	60 mm Cage to Ø1.5" Mounting Post Clamp

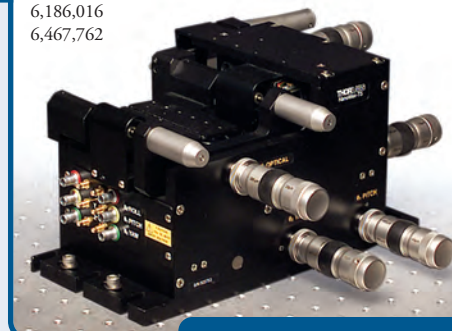
NanoMax™ 600 6-Axis Flexure Stage

- Large Range of Motion: 4 mm (X, Y, Z) Translation, 6° (θ_x, θ_y, θ_z)
- High Stiffness Flexure Design: 1 N/μm in X and Z, 0.5 N/μm in Y
- Thermal Stability: <100 nm/°C for 15 - 30 °C
- High Resonant Frequency

What Makes the NanoMax™ 600 Better

For complex, multiaxis positioning, parallel flexure stages that incorporate three or more degrees of freedom into a single compact unit provide significantly improved performance over serialized stacks of translation stages. Thorlabs' patented parallel flexure technology lies at the heart of all of the NanoMax™ family of nanopositioning stages.

Patented
6,186,016
6,467,762



See Page 442