

For current pricing, please see our website.

CHAPTERS

Optical Elements

Polarization Optics

Optical Isolators

Optical Systems

Optics Kits

SECTIONS

Spherical Lenses

Achromatic Lenses

Aspheric Lenses

Cylindrical Lenses

Mirrors

Spectral Filters

ND Filters

Beamsplitters

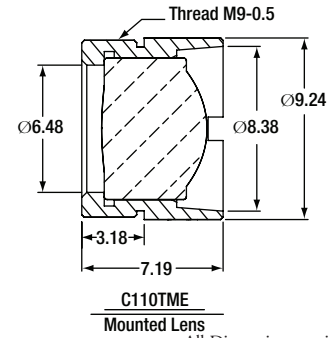
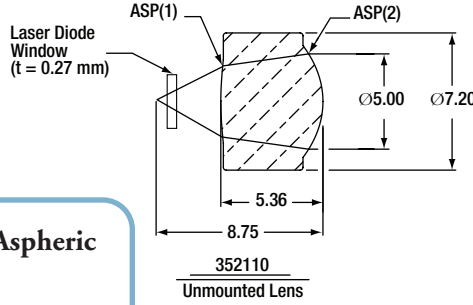
Prisms

Gratings

Windows

Diffusers

352110 f = 6.24 mm and 0.40 NA



Geltech™ Molded Glass Aspheric Collimator Lens

Optical Design Specifications

- Design Wavelength: 780 nm
- Numerical Aperture: 0.40
- Clear Aperture: Ø5.00 mm
- Effective Focal Length: 6.24 mm
- Unmounted Working Distance: 3.39 mm
- Mounted Working Distance: 2.42 mm
- Magnification: Infinite
- Laser Window Thickness: 0.275 mm
- Laser Window Material/Index: N-BK7/1.512 @ 780 nm
- Diffraction-Limited Range: 605 – 2055 nm
- Surface Quality: 40-20 Scratch-Dig
- Glass: ECO-550

Geltech™ lenses are manufactured by LightPath® Technologies

1064 µm V-Coating

1064 µm V-Coating

Aspheric Coefficients

Please refer to our website for complete models and drawings.

	R	k	A ₄	A ₆	A ₈	A ₁₀
ASP (1)	14.45	-105.2321	1.0593674E-03	-7.6925867E-05	-	-
ASP (2)	-4.33	-0.8468796	-5.2151203E-04	6.8766229E-06	-	-

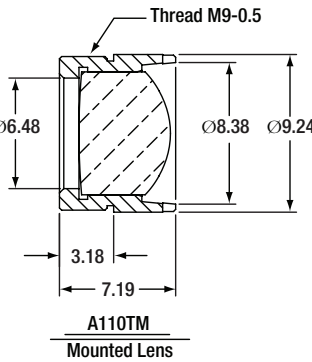
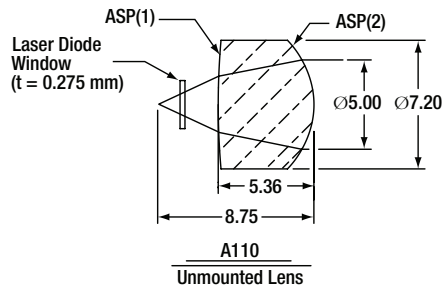
Unmounted, AR-Coated Aspheric Lenses

ITEM #	\$	£	€	RMB	DESCRIPTION
352110-A	\$ 74.00	£ 53.28	€ 64.38	¥ 589.78	Lens, AR-Coated: 400 – 600 nm
352110-B	\$ 74.00	£ 53.28	€ 64.38	¥ 589.78	Lens, AR-Coated: 600 – 1050 nm
352110-C	\$ 74.00	£ 53.28	€ 64.38	¥ 589.78	Lens, AR-Coated: 1050 – 1620 nm
352110-1064	\$ 78.00	£ 56.16	€ 67.86	¥ 621.66	Lens, AR-Coated: 1054 – 1074 nm

Mounted, AR-Coated Aspheric Lenses

ITEM #	\$	£	€	RMB	DESCRIPTION
C110TME-A	\$ 79.00	£ 56.88	€ 68.73	¥ 629.63	Mounted Lens, AR-Coated: 400 – 600 nm
C110TME-B	\$ 79.00	£ 56.88	€ 68.73	¥ 629.63	Mounted Lens, AR-Coated: 600 – 1050 nm
C110TME-C	\$ 79.00	£ 56.88	€ 68.73	¥ 629.63	Mounted Lens, AR-Coated: 1050 – 1620 nm
C110TME-1064	\$ 83.00	£ 59.76	€ 72.21	¥ 661.51	Mounted Lens, AR-Coated: 1054 – 1074 nm

A110 f = 6.24 mm and 0.40 NA



OEM's

Thorlabs stocks a large number of uncoated lenses. If your application requires a custom coating, please contact us directly for price and availability. Custom housings are also available.

All Dimensions are in millimeters
Laser Diode Window Not Included
Please refer to our website for complete models and drawings.

Aspheric Coefficients

	R	k	A ₄	A ₆	A ₈	A ₁₀
ASP (1)	41.07	-	-	-	-	-
ASP (2)	-4.76	-1.256813	-7.7454040E-04	1.9209200E-06	1.7823120E-07	-

Unmounted, AR-Coated Aspheric Lenses

ITEM #	\$	£	€	RMB	DESCRIPTION
A110	\$ 77.00	£ 55.44	€ 66.99	¥ 613.69	Lens, Uncoated
A110-A	\$ 82.00	£ 59.04	€ 71.34	¥ 653.54	Lens, AR-Coated: 350 – 700 nm
A110-B	\$ 82.00	£ 59.04	€ 71.34	¥ 653.54	Lens, AR-Coated: 650 – 1050 nm
A110-C	\$ 82.00	£ 59.04	€ 71.34	¥ 653.54	Lens, AR-Coated: 1050 – 1620 nm

Mounted, AR-Coated Aspheric Lenses

ITEM #	\$	£	€	RMB	DESCRIPTION
A110TM	\$ 82.00	£ 59.04	€ 71.34	¥ 653.54	Mounted Lens, Uncoated
A110TM-A	\$ 87.00	£ 62.64	€ 75.69	¥ 693.39	Mounted Lens, AR-Coated: 350 – 700 nm
A110TM-B	\$ 87.00	£ 62.64	€ 75.69	¥ 693.39	Mounted Lens, AR-Coated: 650 – 1050 nm
A110TM-C	\$ 87.00	£ 62.64	€ 75.69	¥ 693.39	Mounted Lens, AR-Coated: 1050 – 1620 nm

Rochester Precision Molded Glass Aspheric Lens

Optical Design Specifications

- Design Wavelength: 780 nm
- Numerical Aperture: 0.40
- Clear Aperture: Ø5.00 mm
- Effective Focal Length: 6.24 mm
- Unmounted Working Distance: 3.38 mm
- Mounted Working Distance: 2.39 mm
- Magnification: Infinite
- Laser Window Thickness: 0.275 mm
- Laser Window Material/Index: N-BK7/1.512 @ 780 nm
- Diffraction-Limited Range: 435 – 1685 nm
- Surface Quality: 40-20 Scratch-Dig
- Glass (CDGM): H-LAK54

AR Coating Plots Page 717