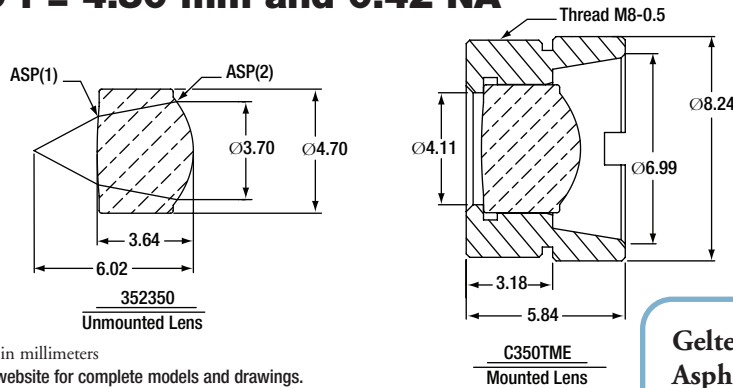


## 352350 f = 4.50 mm and 0.42 NA



All Dimensions are in millimeters  
Please refer to our website for complete models and drawings.

### Aspheric Coefficients

	R	k	A <sub>4</sub>	A <sub>6</sub>	A <sub>8</sub>	A <sub>10</sub>
ASP (1)	-19.14	-	-	-	-	-
ASP (2)	2.88	-1.003315	-2.1823836E-03	-2.3730881E-05	4.5109539E-06	-

### Unmounted, AR-Coated Aspheric Lenses

ITEM #	\$	£	€	RMB	DESCRIPTION
352350-B	\$ 74.00	£ 53.28	€ 64.38	¥ 589.78	Lens, AR-Coated: 600 – 1050 nm
352350-C	\$ 74.00	£ 53.28	€ 64.38	¥ 589.78	Lens, AR-Coated: 1050 – 1620 nm

### Mounted, AR-Coated Aspheric Lenses

ITEM #	\$	£	€	RMB	DESCRIPTION
C350TME-B	\$ 79.00	£ 56.88	€ 68.73	¥ 629.63	Mounted Lens, AR-Coated: 600 – 1050 nm
C350TME-C	\$ 79.00	£ 56.88	€ 68.73	¥ 629.63	Mounted Lens, AR-Coated: 1050 – 1620 nm

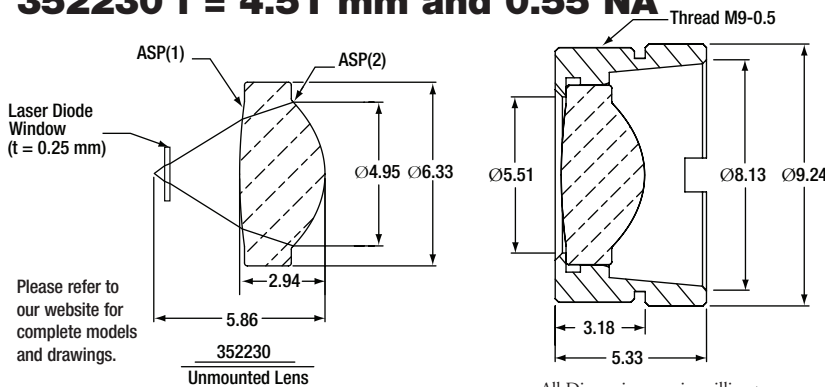
### Geltech™ Molded Glass Aspheric Lens

Optical Design Specifications

- Design Wavelength: 980 nm
- Numerical Aperture: 0.42
- Clear Aperture: Ø3.70 mm
- Effective Focal Length: 4.50 mm
- Unmounted Working Distance: 2.38 mm
- Mounted Working Distance: 1.82 mm
- Magnification: Infinite
- Diffraction-Limited Range: 395 – 2055 nm
- Surface Quality: 40-20 Scratch-Dig
- Glass: ECO-550

Geltech™ lenses are manufactured LightPath® Technologies

## 352230 f = 4.51 mm and 0.55 NA



Please refer to  
our website for  
complete models  
and drawings.

All Dimensions are in millimeters  
Laser Diode Window Not Included

### Aspheric Coefficients

	R	k	A <sub>4</sub>	A <sub>6</sub>	A <sub>8</sub>	A <sub>10</sub>
ASP (1)	18.73	-	-	-	-	-
ASP (2)	-2.96	-0.3552361	1.3285109E-03	1.3974549E-04	3.7686018E-06	1.0129690E-06

### Unmounted, AR-Coated Aspheric Lenses

ITEM #	\$	£	€	RMB	DESCRIPTION
352230-A	\$ 74.00	£ 53.28	€ 64.38	¥ 589.78	Lens, AR-Coated: 400 – 600 nm
352230-B	\$ 74.00	£ 53.28	€ 64.38	¥ 589.78	Lens, AR-Coated: 600 – 1050 nm
352230-C	\$ 74.00	£ 53.28	€ 64.38	¥ 589.78	Lens, AR-Coated: 1050 – 1620 nm
352230-1064	\$ 78.00	£ 56.16	€ 67.86	¥ 621.66	Lens, AR-Coated: 1054 – 1074 nm

### Mounted, AR-Coated Aspheric Lenses

ITEM #	\$	£	€	RMB	DESCRIPTION
C230TME-A	\$ 79.00	£ 56.88	€ 68.73	¥ 629.63	Mounted Lens, AR-Coated: 400 – 600 nm
C230TME-B	\$ 79.00	£ 56.88	€ 68.73	¥ 629.63	Mounted Lens, AR-Coated: 600 – 1050 nm
C230TME-C	\$ 79.00	£ 56.88	€ 68.73	¥ 629.63	Mounted Lens, AR-Coated: 1050 – 1620 nm
C230TME-1064	\$ 83.00	£ 59.76	€ 72.21	¥ 661.51	Mounted Lens, AR-Coated: 1054 – 1074 nm

### Geltech™ Molded Glass Aspheric Lens

Optical Design Specifications

- Design Wavelength: 780 nm
- Numerical Aperture: 0.55
- Clear Aperture: Ø4.95 mm
- Effective Focal Length: 4.51 mm
- Unmounted Working Distance: 2.92 mm
- Mounted Working Distance: 2.67 mm
- Magnification: Infinite
- Laser Window Thickness: 0.25 mm
- Laser Window Material/Index: N-BK7/1.512 @ 780 nm
- Diffraction-Limited Range: 635 – 2055 nm
- Surface Quality: 40-20 Scratch-Dig
- Glass: ECO-550

Geltech™ lenses are manufactured by LightPath® Technologies