

For current pricing, please see our website.

CHAPTERS

Optical Elements

Polarization Optics

Optical Isolators

Optical Systems

Optics Kits

SECTIONS

Spherical Lenses

Achromatic Lenses

Aspheric Lenses

Cylindrical Lenses

Mirrors

Spectral Filters

ND Filters

Beamsplitters

Prisms

Gratings

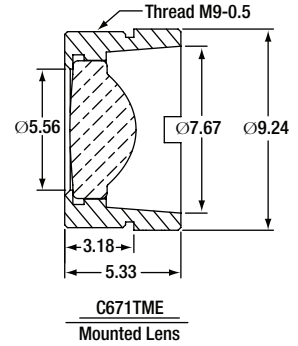
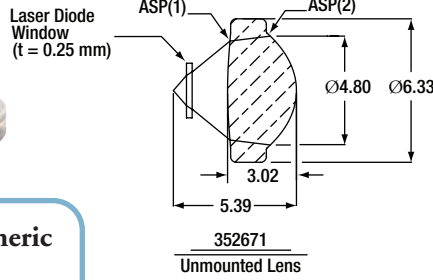
Windows

Diffusers

**AR Coating Plots**  
Page 717

**OEM's**  
Thorlabs stocks a large number of uncoated lenses. If your application requires a custom coating, please contact us directly for price and availability. Custom housings are also available.

**352671 f = 4.02 mm and 0.60 NA**



**Geltech™ Molded Glass Aspheric Collimator Lens**

Optical Design Specifications

- Design Wavelength: 408 nm
- Numerical Aperture: 0.60
- Clear Aperture: Ø4.80 mm
- Effective Focal Length: 4.02 mm
- Unmounted Working Distance: 2.37 mm
- Mounted Working Distance: 2.13 mm
- Magnification: Infinite
- Laser Window Thickness: 0.25 mm
- Laser Window Material/Index: PK2/1.531 @ 408 nm
- Diffraction-Limited Range: 404 – 414 nm
- Surface Quality: 40-20 Scratch-Dig
- Glass: ECO-550

Geltech™ lenses are manufactured by LightPath® Technologies

405 nm V-Coating

**Aspheric Coefficients**

	R	k	A <sub>4</sub>	A <sub>6</sub>	A <sub>8</sub>	A <sub>10</sub>
ASP (1)	19.51	-	-6.4379588E-04	-5.9677126E-05	6.8586278E-06	-
ASP (2)	-2.71	-0.9921555	-2.5910628E-03	-2.6596878E-05	3.3316214E-06	-

**Unmounted, AR-Coated Aspheric Lens**

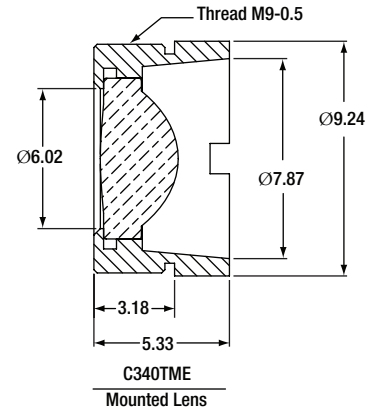
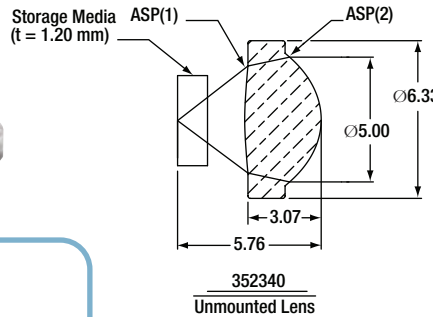
ITEM #	\$	£	€	RMB	DESCRIPTION
352671-405	\$113.00	£ 81.36	€ 98.31	¥ 900.61	Lens, AR-Coated: 395 – 415 nm
352671-A	\$113.00	£ 81.36	€ 98.31	¥ 900.61	Lens, AR-Coated: 400 – 600 nm
352671-B	\$113.00	£ 81.36	€ 98.31	¥ 900.61	Lens, AR-Coated: 600 – 1050 nm

**Mounted, AR-Coated Aspheric Lens**

ITEM #	\$	£	€	RMB	DESCRIPTION
C671TME-405	\$ 118.00	£ 84.96	€102.66	¥ 940.46	Mounted Lens, AR-Coated: 395 – 415 nm
C671TME-A	\$ 118.00	£ 84.96	€102.66	¥ 940.46	Mounted Lens, AR-Coated: 400 – 600 nm
C671TME-B	\$ 118.00	£ 84.96	€102.66	¥ 940.46	Mounted Lens, AR-Coated: 600 – 1050 nm

All Dimensions are in millimeters  
Laser Diode Window Not Included  
Please refer to our website for complete models and drawings.

**352340 f = 4.03 mm and 0.62 NA**



**Geltech™ Molded Glass Aspheric Lens**

Optical Design Specifications

- Design Wavelength: 685 nm
- Numerical Aperture: 0.62
- Clear Aperture: Ø5.00 mm
- Effective Focal Length: 4.03 mm
- Unmounted Working Distance: 2.69 mm
- Mounted Working Distance: 2.44 mm
- Magnification: Infinite
- Storage Media Thickness: 1.20 mm
- Storage Media Material/Index: K3/1.515 @ 685 nm
- Diffraction-Limited Range: 595 – 1095 nm
- Surface Quality: 40-20 Scratch-Dig
- Glass: ECO-550

Geltech™ lenses are manufactured by LightPath® Technologies

**Aspheric Coefficients**

	R	k	A <sub>4</sub>	A <sub>6</sub>	A <sub>8</sub>	A <sub>10</sub>
ASP (1)	14.41	-	-3.9892954E-03	1.5009163E-04	-5.0538191E-06	-
ASP (2)	-2.65	-0.4502779	-4.1972280E-04	4.5247890E-05	2.6067483E-06	6.6658970E-08

**Unmounted, AR-Coated Aspheric Lenses**

ITEM #	\$	£	€	RMB	DESCRIPTION
352340-A	\$ 82.00	£ 59.04	€ 71.34	¥ 653.54	Lens, AR-Coated: 400 – 600 nm
352340-B	\$ 82.00	£ 59.04	€ 71.34	¥ 653.54	Lens, AR-Coated: 600 – 1050 nm

**Mounted, AR-Coated Aspheric Lenses**

ITEM #	\$	£	€	RMB	DESCRIPTION
C340TME-A	\$ 87.00	£ 62.64	€ 75.69	¥ 693.39	Mounted Lens, AR-Coated: 400 – 600 nm
C340TME-B	\$ 87.00	£ 62.64	€ 75.69	¥ 693.39	Mounted Lens, AR-Coated: 600 – 1050 nm

All Dimensions are in millimeters  
Please refer to our website for complete models and drawings.