

For current pricing, please see our website.

CHAPTERS

Optical Elements

Polarization Optics

Optical Isolators

Optical Systems

Optics Kits

SECTIONS

Spherical Lenses

Achromatic Lenses

Aspheric Lenses

Cylindrical Lenses

Mirrors

Spectral Filters

ND Filters

Beamsplitters

Prisms

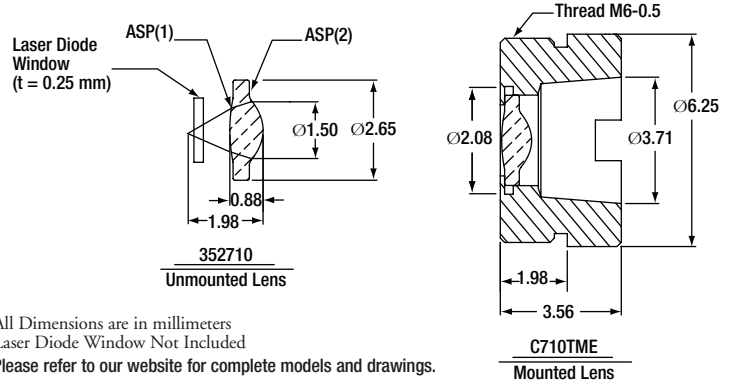
Gratings

Windows

Diffusers

AR Coating Plots Page 717

### 352710 $f = 1.49$ mm and $0.50$ NA



All Dimensions are in millimeters  
Laser Diode Window Not Included  
Please refer to our website for complete models and drawings.

#### Geltech™ Molded Glass Aspheric Collimator Lens

Optical Design Specifications

- Design Wavelength: 1550 nm
- Numerical Aperture: 0.50
- Clear Aperture:  $\varnothing 1.50$  mm
- Effective Focal Length: 1.49 mm
- Unmounted Working Distance: 1.10 mm
- Mounted Working Distance: 1.06 mm
- Magnification: Infinite
- Laser Window Material/Index: N-BK7/1.501 @ 1550 nm
- Diffraction-Limited Range: 365 – 2055 nm
- Surface Quality: 40-20 Scratch-Dig
- Glass (Corning): ECO-550

Geltech™ lenses are manufactured by LightPath® Technologies

#### Aspheric Coefficients

	R	k	A <sub>4</sub>	A <sub>6</sub>	A <sub>8</sub>	A <sub>10</sub>
ASP (1)	4.06	-	-	-	-	-
ASP (2)	-1.02	-0.3648836	4.5208513E-02	3.6883595E-02	2.0005664E-02	8.0691433E-03

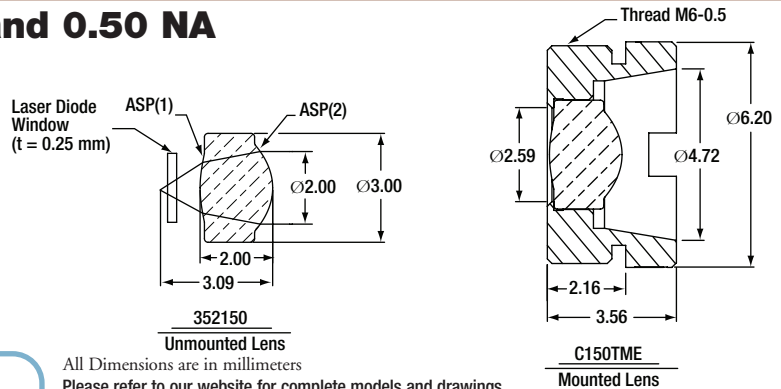
#### Unmounted, AR-Coated Aspheric Lenses

ITEM #	\$	£	€	RMB	DESCRIPTION
352710-A	\$ 82.00	£ 59.04	€ 71,34	¥ 653.54	Lens, AR-Coated: 400 – 600 nm
352710-B	\$ 82.00	£ 59.04	€ 71,34	¥ 653.54	Lens, AR-Coated: 600 – 1050 nm
352710-C	\$ 82.00	£ 59.04	€ 71,34	¥ 653.54	Lens, AR-Coated: 1050 – 1620 nm

#### Mounted, AR-Coated Aspheric Lenses

ITEM #	\$	£	€	RMB	DESCRIPTION
C710TME-A	\$ 87.00	£ 62.64	€ 75,69	¥ 693.39	Mounted Lens, AR-Coated: 400 – 600 nm
C710TME-B	\$ 87.00	£ 62.64	€ 75,69	¥ 693.39	Mounted Lens, AR-Coated: 600 – 1050 nm
C710TME-C	\$ 87.00	£ 62.64	€ 75,69	¥ 693.39	Mounted Lens, AR-Coated: 1050 – 1620 nm

### 352150 $f = 2.00$ mm and $0.50$ NA



All Dimensions are in millimeters  
Please refer to our website for complete models and drawings.

#### Geltech™ Molded Glass Aspheric Lens

Optical Design Specifications

- Design Wavelength: 780 nm
- Numerical Aperture: 0.50
- Clear Aperture:  $\varnothing 2.0$  mm
- Effective Focal Length: 2.00 mm
- Unmounted Working Distance: 1.09 mm
- Mounted Working Distance: 1.04 mm
- Magnification: Infinite
- Laser Window Material/Index: N-BK7/1.512 @ 780 nm
- Diffraction-Limited Range: 475 – 2055 nm
- Surface Quality: 40-20 Scratch-Dig
- Glass: ECO-550

Geltech™ lenses are manufactured by LightPath® Technologies

#### Aspheric Coefficients

	R	k	A <sub>4</sub>	A <sub>6</sub>	A <sub>8</sub>	A <sub>10</sub>
ASP (1)	2.92	-15.02364	-	-	-	-
ASP (2)	-1.50	-0.8648539	-7.0175256E-03	1.0323036E-03	6.0339101E-04	-

#### Unmounted, AR-Coated Aspheric Lenses

ITEM #	\$	£	€	RMB	DESCRIPTION
352150-A	\$ 69.00	£ 49.68	€ 60,03	¥ 549.93	Lens, AR-Coated: 400 – 600 nm
352150-B	\$ 69.00	£ 49.68	€ 60,03	¥ 549.93	Lens, AR-Coated: 600 – 1050 nm
352150-C	\$ 69.00	£ 49.68	€ 60,03	¥ 549.93	Lens, AR-Coated: 1050 – 1620 nm

#### Mounted, AR-Coated Aspheric Lenses

ITEM #	\$	£	€	RMB	DESCRIPTION
C150TME-A	\$ 74.00	£ 53.28	€ 64,38	¥ 589.78	Mounted Lens, AR-Coated: 400 – 600 nm
C150TME-B	\$ 74.00	£ 53.28	€ 64,38	¥ 589.78	Mounted Lens, AR-Coated: 600 – 1050 nm
C150TME-C	\$ 74.00	£ 53.28	€ 64,38	¥ 589.78	Mounted Lens, AR-Coated: 1050 – 1620 nm