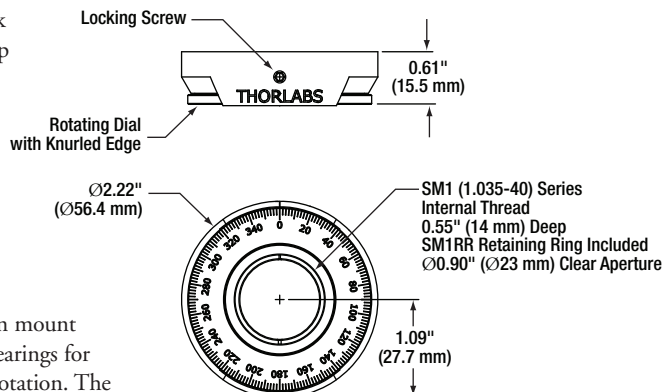


General Purpose Rotation Mounts for Ø1" Optics

- Mounts Ø1" (Ø25.4 mm) Optics up to 0.47" (12 mm) Thick
- Dimensions: Ø2.22" (Ø56.4 mm) and 0.61" (15.5 mm) Deep
- Compatible with SM1 Lens Tubes
- One SM1RR Retaining Ring Included
- Post Mountable via an 8-32 (M4 x 0.7) Tapped Hole



RSP1
General Purpose
Rotation Mount
with Fixed Scale

Mounting Post
Not Included

Our Ø1" RSP1 rotation mount utilizes two precision bearings for smooth, backlash-free rotation. The aperture is threaded with our internal SM1 (1.035"-40) threading to accept Ø1" (Ø25.4 mm) optics. One SM1RR retaining ring is included with each mount, which can secure optics up to 0.47" (12 mm) thick. The SM1 threading also provides a means to connect SM1 lens tubes and other components to the mount. A top-located setscrew locks the rotational position of the mount after the desired position has been reached.

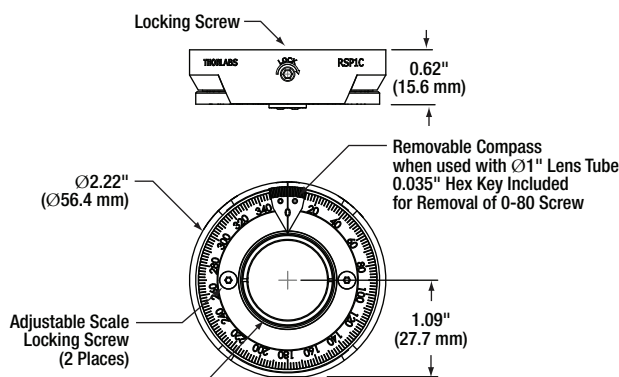
The RSP1 features a knurled edge for adjusting rotation and a 360° laser-engraved scale. The scale is marked at 2° increments with labels every 20°, allowing for precise, repeatable positioning and fine angular adjustment.

ITEM #	METRIC ITEM #	\$	£	€	RMB	DESCRIPTION
RSP1	RSP1/M	\$ 81.10	£ 58.39	€ 70,56	¥ 646.37	Rotation Mount for Ø1" Optics
SM1RR	SM1RR	\$ 4.50	£ 3.24	€ 3,92	¥ 35.87	Additional Retaining Ring
SPW602*	SPW602*	\$ 26.00	£ 18.72	€ 22,62	¥ 207.22	Spanner Wrench for SM1RR

*Imperial and metric compatible.

Ø1" Rotation Mount with Adjustable Scale

- Adjustable Scale for Alignment of Axis
- Mounts Ø1" Optics up to 0.51" (12.8 mm) Thick
- Dimensions: Ø2.22" (Ø56.4 mm) and 0.62" (15.6 mm) Deep
- Compatible with SM1 Lens Tubes
- One SM1RR Retaining Ring Included
- Post-Mountable via an 8-32 (M4 x 0.7) Tapped Hole



Our Ø1" RSP1C rotation mount is similar in design to our RSP1 rotation mount (above), with the added benefit of a rotatable scale. The scale on the RSP1C can be unlocked and rotated so that it can be aligned to the axis of an optic, such as the fast axis of a wave plate or the polarization axis of a linear polarizer. To help with alignment, an engraved arrow extends the zero mark all the way to the outside edge of the SM1 (1.035"-40) threaded bore used to mount the optic.

The RSP1C is threaded with our SM1 threading and can accept SM1 lens tubes and other components in addition to Ø1" (Ø25.4 mm) optics up to 0.51" (12.8 mm) thick. One SM1RR retaining ring is included to secure optics.

SM1 (1.035-40) Series Internal Thread
0.59" (14.9 mm) Deep
SM1RR Retaining Ring Included
Ø0.90" (Ø23 mm) Clear Aperture



RSP1C
Adjustable Scale
for Alignment
with Optic Axis

Mounting Post
Not Included

ITEM #	METRIC ITEM #	\$	£	€	RMB	DESCRIPTION
RSP1C	RSP1C/M	\$ 89.00	£ 64.08	€ 77,43	¥ 709.33	Rotation Mount for Ø1" Optics with Adjustable Zero Point
SM1RR	SM1RR	\$ 4.50	£ 3.24	€ 3,92	¥ 35.87	Additional Retaining Ring
SPW602*	SPW602*	\$ 26.00	£ 18.72	€ 22,62	¥ 207.22	Spanner Wrench for SM1RR

*Imperial and metric compatible.