

For current pricing, please see our website.

CHAPTERS

Tables/  
Breadboards

Mechanics

Optomechanic  
Devices

Kits

Lab Supplies

SECTIONS

Mini Series

Ø1/2" Post  
Assemblies

Ø1" Post  
Assemblies

Ø1.5" Post  
Assemblies

Mounting/Angle  
Brackets

Lab Platforms

Instrument Shelves

Lens Tubes

Cage Systems

Optical Rails

Mirror Mounts

Kinematic Mounts

Fixed Mounts

Translation Mounts

Rotation Mounts

Filter Mounts

V-Mounts

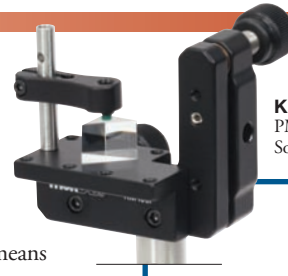
Iris Apertures

Adapters

## Kinematic Prism Mount

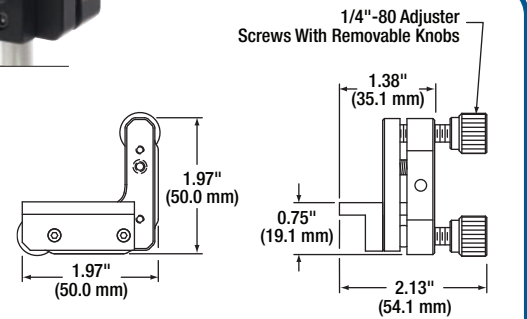
- Removable Knobs Expose Leadscrews with Hex Socket
- Platform with 6-32 (M4) Tapped Holes for PM3 or PM4 Clamping Arms
- Hardened Steel Ball Seats Improve Durability

The KM100P Kinematic Prism Mount provides a convenient means for aligning components that require pitch and yaw adjustment. The 1.62" x 1.00" (41.1 mm x 25.4 mm) platform allows the KM100P to be used to integrate many prisms, cube beamsplitters, and corner cubes into an optical system. The platform includes tapped holes for securing PM3 or PM4 clamping arms, which are sold separately.



**KM100P**  
PM3 and Optics  
Sold Separately

Mechanical  
Drawings Available on the  
**WEB**



ITEM #	METRIC ITEM #	\$	£	€	RMB	DESCRIPTION
KM100P*	KM100P/M*	\$ 64.00	£ 46.08	€ 55,68	¥ 510.08	Prism Platform
PM3	PM3/M	\$ 18.00	£ 12.96	€ 15,66	¥ 143.46	0.97" Tall Clamping Arm

\*PM3 (PM3/M) Clamping Arms sold separately

## Kinematic Platform Mounts

- Mounts Vertically or Horizontally
- 1/4"-80 Precision Adjusters
- Removable Knobs Expose Leadscrews with Hex Socket

The KM100B and KM200B Kinematic Platform Mounts, which measure 1.92" x 1.92" (48.8 mm x 48.8 mm) and 3.01" x 3.01" (76.5 mm x 76.5 mm), respectively, provide ±4° (KM100B) or ±3° (KM200B) of pitch and yaw motion. They offer an unobstructed path from all sides.

Both platforms have an array of 6-32 (M4) tapped holes (5 on KM100B, 4 on KM200B) for securing PM3 or PM4 clamping arms, which are sold separately. In addition, the KM200B also has five 1/4"-20 (M6) tapped holes for mounting other components.



**KM200B**

**KM100B**



**KM200B**  
Post and Post Holder  
Sold Separately

ITEM #	METRIC ITEM #	\$	£	€	RMB	DESCRIPTION
KM100B*	KM100B/M*	\$ 52.00	£ 37.44	€ 45,24	¥ 414.44	Kinematic Platform Mount, 1.92" x 1.92" (48.8 mm x 48.8 mm)
KM200B*	KM200B/M*	\$ 89.50	£ 64.44	€ 77,87	¥ 713.32	Kinematic Platform Mount, 3.01" x 3.01" (76.5 mm x 76.5 mm)
PM3	PM3/M	\$ 18.00	£ 12.96	€ 15,66	¥ 143.46	0.97" Tall Clamping Arm, 6-32 (M4) Threaded
PM4	PM4/M	\$ 22.00	£ 15.84	€ 19,14	¥ 175.34	1.61" Tall Clamping Arm, 6-32 (M4) Threaded

\*PM3 (PM3/M) and PM4 (PM4/M) Clamping Arms sold separately

## Pitch and Yaw Platform with Micrometer Drives

- ±4° of Travel per Axis
- Graduations
  - Major: Every 24 arcmin (0.025")
  - Minor: Every 57.6 arcsec (0.001")
- Precision Micrometer Head Adjuster
- 13 mrad per revolution
- 2.36" x 2.36" (59.9 mm x 59.9 mm) Platform Surface



**PY003**  
Post and Base  
Sold Separately

The PY003 tilt platform provides ±4° of micrometer adjustment of both pitch and yaw. This compact pitch/yaw adjustable mounting platform has both 1/4"-20 (M6) and 8-32 (M4) threaded mounting holes.

ITEM #	METRIC ITEM #	\$	£	€	RMB	DESCRIPTION
PY003	PY003/M	\$ 188.00	£ 135.36	€ 163,56	¥ 1,498.36	Pitch & Yaw Tilt Platform with Micrometer Drives