

CHAPTERS

Laser Scanning Microscopy

Microscopy Components

OCT Imaging Systems

OCT Components

Adaptive Optics

SECTIONS

Microscopy Stages

ScienceDesk

LEDs

Light Sources

Objectives/Scan Lenses

Dispersion Compensating Mirrors

Fluorescence Imaging Filters

Filter Cubes

Scanning Mirrors

PMT Modules

Microscope Adapters

Cuvette Holder

FiberPorts

Test Targets/Reticles

T-Scopes

Focus Blocks

Pinhole Wheel

## Collimated LED Light Sources (Page 1 of 2)

### Collimated LED Light Sources for Olympus BX and IX Microscopes

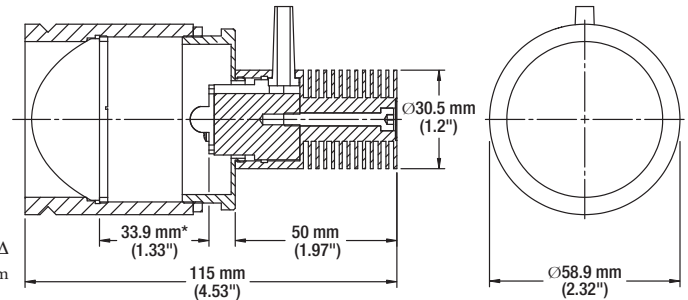
- Approximate Beam Diameter: 50 mm
- Approximate Beam Area: 1960 mm<sup>2</sup>

**NEW**  
products



MxxxL2-C1

\*Adjustable Δ  
from -6 to +1 mm



ITEM #	\$	£	€	RMB	DESCRIPTION
M365L2-C1	\$ 850.00	£ 612.00	€ 739,50	¥ 6,774.50	UV (365 nm) Collimated LED for Olympus BX & IX, 700 mA
M385L2-C1	\$ 850.00	£ 612.00	€ 739,50	¥ 6,774.50	UV (385 nm) Collimated LED for Olympus BX & IX, 700 mA
M405L2-C1	\$ 850.00	£ 612.00	€ 739,50	¥ 6,774.50	UV (405 nm) Collimated LED for Olympus BX & IX, 1000 mA
M455L2-C1	\$ 520.00	£ 374.40	€ 452,40	¥ 4,144.40	Royal Blue (455 nm) Collimated LED for Olympus BX & IX, 1600 mA
M470L2-C1	\$ 520.00	£ 374.40	€ 452,40	¥ 4,144.40	Blue (470 nm) Collimated LED for Olympus BX & IX, 1600 mA
M530L2-C1	\$ 520.00	£ 374.40	€ 452,40	¥ 4,144.40	Green (530 nm) Collimated LED for Olympus BX & IX, 1600 mA
M590L2-C1	\$ 391.50	£ 281.88	€ 340,61	¥ 3,120.26	Amber (594 nm) Collimated LED for Olympus BX & IX, 1600 mA
M617L2-C1	\$ 391.50	£ 281.88	€ 340,61	¥ 3,120.26	Red Orange (617nm) Collimated LED for Olympus BX & IX, 1600 mA
M625L2-C1	\$ 391.50	£ 281.88	€ 340,61	¥ 3,120.26	Red (625 nm) Collimated LED for Olympus BX & IX, 1600 mA
M660L2-C1	\$ 455.00	£ 327.60	€ 395,85	¥ 3,626.35	Deep Red (660 nm) Collimated LED for Olympus BX & IX, 1500 mA
M735L2-C1	\$ 455.00	£ 327.60	€ 395,85	¥ 3,626.35	IR (735 nm) Collimated LED for Olympus BX & IX, 1500 mA
M780L2-C1	\$ 455.00	£ 327.60	€ 395,85	¥ 3,626.35	IR (780 nm) Collimated LED for Olympus BX & IX, 1000 mA
M850L2-C1	\$ 455.00	£ 327.60	€ 395,85	¥ 3,626.35	IR (850 nm) Collimated LED for Olympus BX & IX, 1000 mA
M940L2-C1	\$ 455.00	£ 327.60	€ 395,85	¥ 3,626.35	IR (940 nm) Collimated LED for Olympus BX & IX, 1000 mA
MCWHL2-C1	\$ 391.50	£ 281.88	€ 340,61	¥ 3,120.26	Cold White Collimated LED for Olympus BX & IX, 1600 mA

### Collimated LED Light Sources for Leica DMI Microscopes

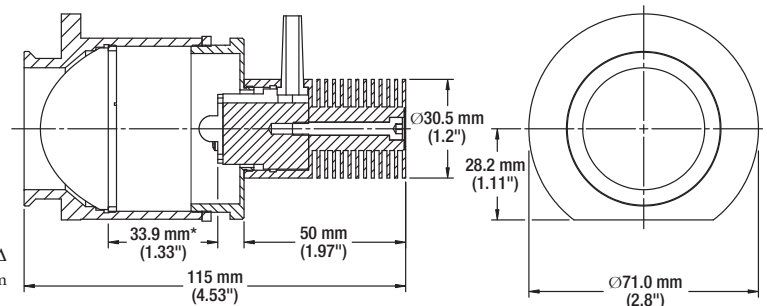
- Approximate Beam Diameter: 37 mm
- Approximate Beam Area: 1080 mm<sup>2</sup>

**NEW**  
products



MxxxL2-C2

\*Adjustable Δ  
from -6 to +1 mm



ITEM #	\$	£	€	RMB	DESCRIPTION
M365L2-C2	\$ 850.00	£ 612.00	€ 739,50	¥ 6,774.50	UV (365 nm) Collimated LED for Leica DMI, 700 mA
M385L2-C2	\$ 850.00	£ 612.00	€ 739,50	¥ 6,774.50	UV (385 nm) Collimated LED for Leica DMI, 700 mA
M405L2-C2	\$ 850.00	£ 612.00	€ 739,50	¥ 6,774.50	UV (405 nm) Collimated LED for Leica DMI, 1000 mA
M455L2-C2	\$ 520.00	£ 374.40	€ 452,40	¥ 4,144.40	Royal Blue (455 nm) Collimated LED for Leica DMI, 1600 mA
M470L2-C2	\$ 520.00	£ 374.40	€ 452,40	¥ 4,144.40	Blue (470 nm) Collimated LED for Leica DMI, 1600 mA
M530L2-C2	\$ 520.00	£ 374.40	€ 452,40	¥ 4,144.40	Green (530 nm) Collimated LED for Leica DMI, 1600 mA
M590L2-C2	\$ 391.50	£ 281.88	€ 340,61	¥ 3,120.26	Amber (594 nm) Collimated LED for Leica DMI, 1600 mA
M617L2-C2	\$ 391.50	£ 281.88	€ 340,61	¥ 3,120.26	Red Orange (617nm) Collimated LED for Leica DMI, 1600 mA
M625L2-C2	\$ 391.50	£ 281.88	€ 340,61	¥ 3,120.26	Red (625 nm) Collimated LED for Leica DMI, 1600 mA
M660L2-C2	\$ 455.00	£ 327.60	€ 395,85	¥ 3,626.35	Deep Red (660 nm) Collimated LED for Leica DMI, 1500 mA
M735L2-C2	\$ 455.00	£ 327.60	€ 395,85	¥ 3,626.35	IR (735 nm) Collimated LED for Leica DMI, 1500 mA
M780L2-C2	\$ 455.00	£ 327.60	€ 395,85	¥ 3,626.35	IR (780 nm) Collimated LED for Leica DMI, 1000 mA
M850L2-C2	\$ 455.00	£ 327.60	€ 395,85	¥ 3,626.35	IR (850 nm) Collimated LED for Leica DMI, 1000 mA
M940L2-C2	\$ 455.00	£ 327.60	€ 395,85	¥ 3,626.35	IR (940 nm) Collimated LED for Leica DMI, 1000 mA
MCWHL2-C2	\$ 391.50	£ 281.88	€ 340,61	¥ 3,120.26	Cold White Collimated LED for Leica DMI, 1600 mA

## Collimated LED Light Sources (Page 2 of 2)

### Collimated LED Light Sources for Nikon Eclipse (Bayonet Mount) Microscopes

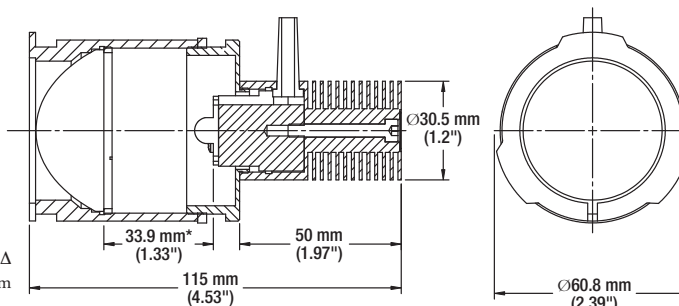
- Approximate Beam Diameter: 43 mm
- Approximate Beam Area: 1450 mm<sup>2</sup>



MxxxL2-C3

**NEW**  
products

\*Adjustable Δ  
from -6 to +1 mm



ITEM #	\$	£	€	RMB	DESCRIPTION
M365L2-C3	\$ 850.00	£ 612.00	€ 739,50	¥ 6,774.50	UV (365 nm) Collimated LED for Nikon Eclipse, 700 mA
M385L2-C3	\$ 850.00	£ 612.00	€ 739,50	¥ 6,774.50	UV (385 nm) Collimated LED for Nikon Eclipse, 700 mA
M405L2-C3	\$ 850.00	£ 612.00	€ 739,50	¥ 6,774.50	UV (405 nm) Collimated LED for Nikon Eclipse, 1000 mA
M455L2-C3	\$ 520.00	£ 374.40	€ 452,40	¥ 4,144.40	Royal Blue (455 nm) Collimated LED for Nikon Eclipse, 1600 mA
M470L2-C3	\$ 520.00	£ 374.40	€ 452,40	¥ 4,144.40	Blue (470 nm) Collimated LED for Nikon Eclipse, 1600 mA
M530L2-C3	\$ 520.00	£ 374.40	€ 452,40	¥ 4,144.40	Green (530 nm) Collimated LED for Nikon Eclipse, 1600 mA
M590L2-C3	\$ 391.50	£ 281.88	€ 340,61	¥ 3,120.26	Amber (594 nm) Collimated LED for Nikon Eclipse, 1600 mA
M617L2-C3	\$ 391.50	£ 281.88	€ 340,61	¥ 3,120.26	Red Orange (617nm) Collimated LED for Nikon Eclipse, 1600 mA
M625L2-C3	\$ 391.50	£ 281.88	€ 340,61	¥ 3,120.26	Red (625 nm) Collimated LED for Nikon Eclipse, 1600 mA
M660L2-C3	\$ 455.00	£ 327.60	€ 395,85	¥ 3,626.35	Deep Red (660 nm) Collimated LED for Nikon Eclipse, 1500 mA
M735L2-C3	\$ 455.00	£ 327.60	€ 395,85	¥ 3,626.35	IR (735 nm) Collimated LED for Nikon Eclipse, 1500 mA
M780L2-C3	\$ 455.00	£ 327.60	€ 395,85	¥ 3,626.35	IR (780 nm) Collimated LED for Nikon Eclipse, 1000 mA
M850L2-C3	\$ 455.00	£ 327.60	€ 395,85	¥ 3,626.35	IR (850 nm) Collimated LED for Nikon Eclipse, 1000 mA
M940L2-C3	\$ 455.00	£ 327.60	€ 395,85	¥ 3,626.35	IR (940 nm) Collimated LED for Nikon Eclipse, 1000 mA
MCWHL2-C3	\$ 391.50	£ 281.88	€ 340,61	¥ 3,120.26	Cold White Collimated LED for Nikon Eclipse, 1600 mA

### Collimated LED Light Sources for Zeiss Axioskop Microscopes

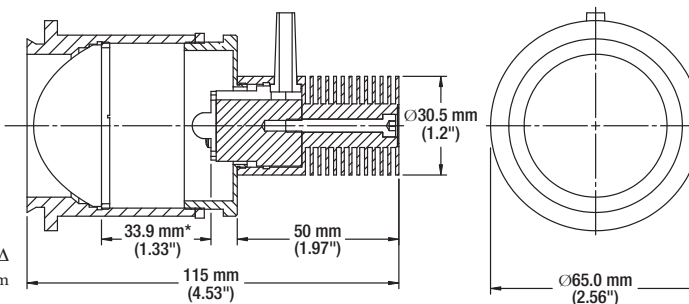
- Approximate Beam Diameter: 44 mm
- Approximate Beam Area: 1520 mm<sup>2</sup>



MxxxL2-C4

**NEW**  
products

\*Adjustable Δ  
from -6 to +1 mm



ITEM #	\$	£	€	RMB	DESCRIPTION
M365L2-C4	\$ 850.00	£ 612.00	€ 739,50	¥ 6,774.50	UV (365 nm) Collimated LED for Zeiss Axioskop, 700 mA
M385L2-C4	\$ 850.00	£ 612.00	€ 739,50	¥ 6,774.50	UV (385 nm) Collimated LED for Zeiss Axioskop, 700 mA
M405L2-C4	\$ 850.00	£ 612.00	€ 739,50	¥ 6,774.50	UV (405 nm) Collimated LED for Zeiss Axioskop, 1000 mA
M455L2-C4	\$ 520.00	£ 374.40	€ 452,40	¥ 4,144.40	Royal Blue (455 nm) Collimated LED for Zeiss Axioskop, 1600 mA
M470L2-C4	\$ 520.00	£ 374.40	€ 452,40	¥ 4,144.40	Blue (470 nm) Collimated LED for Zeiss Axioskop, 1600 mA
M530L2-C4	\$ 520.00	£ 374.40	€ 452,40	¥ 4,144.40	Green (530 nm) Collimated LED for Zeiss Axioskop, 1600 mA
M590L2-C4	\$ 391.50	£ 281.88	€ 340,61	¥ 3,120.26	Amber (594 nm) Collimated LED for Zeiss Axioskop, 1600 mA
M617L2-C4	\$ 391.50	£ 281.88	€ 340,61	¥ 3,120.26	Red Orange (617nm) Collimated LED for Zeiss Axioskop, 1600 mA
M625L2-C4	\$ 391.50	£ 281.88	€ 340,61	¥ 3,120.26	Red (625 nm) Collimated LED for Zeiss Axioskop, 1600 mA
M660L2-C4	\$ 455.00	£ 327.60	€ 395,85	¥ 3,626.35	Deep Red (660 nm) Collimated LED for Zeiss Axioskop, 1500 mA
M735L2-C4	\$ 455.00	£ 327.60	€ 395,85	¥ 3,626.35	IR (735 nm) Collimated LED for Zeiss Axioskop, 1500 mA
M780L2-C4	\$ 455.00	£ 327.60	€ 395,85	¥ 3,626.35	IR (780 nm) Collimated LED for Zeiss Axioskop, 1000 mA
M850L2-C4	\$ 455.00	£ 327.60	€ 395,85	¥ 3,626.35	IR (850 nm) Collimated LED for Zeiss Axioskop, 1000 mA
M940L2-C4	\$ 455.00	£ 327.60	€ 395,85	¥ 3,626.35	IR (940 nm) Collimated LED for Zeiss Axioskop, 1000 mA
MCWHL2-C4	\$ 391.50	£ 281.88	€ 340,61	¥ 3,120.26	Cold White Collimated LED for Zeiss Axioskop, 1600 mA

CHAPTERS ▼

Laser Scanning  
Microscopy

Microscopy  
Components

OCT Imaging  
Systems

OCT Components

Adaptive Optics

SECTIONS ▼

Microscopy Stages

ScienceDesk

LEDs

Light Sources

Objectives/Scan  
Lenses

Dispersion  
Compensating Mirrors

Fluorescence  
Imaging Filters

Filter Cubes

Scanning Mirrors

PMT Modules

Microscope Adapters

Cuvette Holder

FiberPorts

Test Targets/Reticles

T-Scopes

Focus Blocks

Pinhole Wheel