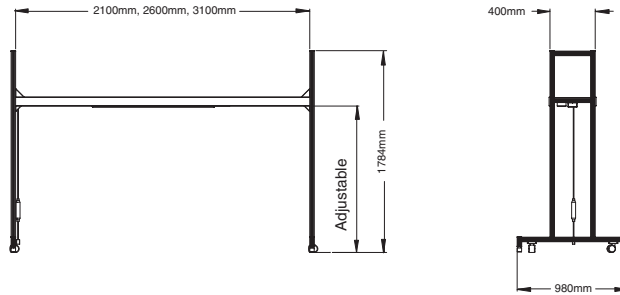


Free Standing Instrumentation Shelf

The Thorlabs free standing instrumentation shelf provides an additional mounting surface for instruments, power supplies, and other accessories when a full enclosure is not necessary.

- Very stable, free-standing design does not interfere with vibration isolation.
- The parallel-foot design allows placement anywhere over the table.
- Casters allow easy movement, even when fully loaded.
- Height is adjustable from 60 to 68 inches.
- Under-shelf lighting provides shadow-free work-surface illumination.
- Switched 3-wire IEC receptacles are provided

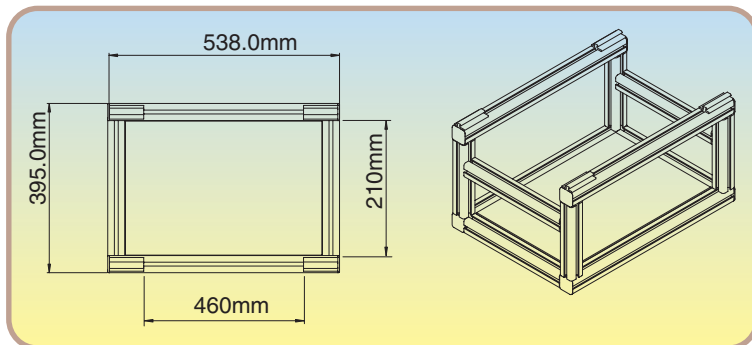


Freestanding Shelf works with all of our breadboard units and does not interfere with vibration isolation. Available in three sizes.

Freestanding Shelf

| ITEM | \$ | £ | € | ¥ | DESCRIPTION |
|--------|-------------|------------|------------|-----------|----------------------|
| PTA200 | \$ 2,550.00 | £ 1,500.00 | € 2,222.90 | ¥ 434,000 | 2100mm x 400mm Shelf |
| PTA250 | \$ 2,805.00 | £ 1,650.00 | € 2,437.10 | ¥ 476,000 | 2600mm x 400mm Shelf |
| PTA300 | \$ 3,315.00 | £ 1,950.00 | € 2,865.70 | ¥ 560,000 | 3100mm x 400mm Shelf |

Sliding Shelf



Suspended accessory shelves attach to the free-standing instrumentation shelves listed above. These shelves are free to travel the length of the main shelf.

- ID= 210 x 460mm
- OD= 395 x 538mm

Sliding Shelf

| ITEM | \$ | £ | € | ¥ | DESCRIPTION |
|--------|-----------|----------|----------|----------|---|
| PTA001 | \$ 493.00 | £ 290.00 | € 494.30 | ¥ 95,200 | 1.6' x 3.3' (0.5m x 1.0m) Sliding Shelf |