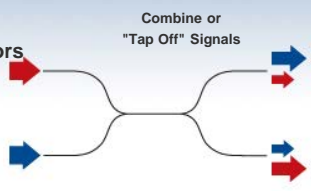
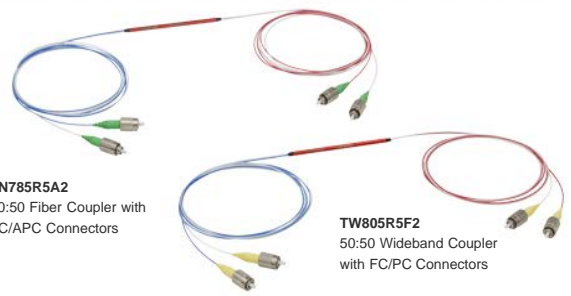


## FC780-90B-APC - April 11, 2017

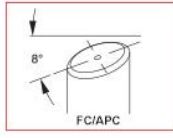
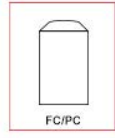
Item # FC780-90B-APC was discontinued on April 11, 2017. For informational purposes, this is a copy of the website content at that time and is valid only for the stated product.

► **Narrowband and Wideband Couplers for 780 nm**  
 ► **50:50, 75:25, 90:10, or 99:1 Coupling Ratio**  
 ► **Terminated with 2.0 mm Narrow Key FC/APC or FC/PC Connectors**

**TN785R5A2**  
50:50 Fiber Coupler with FC/APC Connectors

**TW805R5F2**  
50:50 Wideband Coupler with FC/PC Connectors

[Hide Overview](#)

**OVERVIEW**

**Features**

- Fused Fiber Optic Couplers for Use at 780 nm
- Four Available Operating Ranges:
  - Narrowband:
    - 780 ± 15 nm
    - or 785 ± 15 nm
  - Wideband: 805 nm ± 75 nm or 850 nm ± 100 nm
- Bidirectional Coupling (Either End Can Be Used as an Input)
- FC/PC or FC/APC Connectors with 2.0 mm Narrow Key
- Wideband Couplers Shipped with Individual Test Reports (See the *Coupler Verification* Tab; Click Here for an 805 nm or 850 nm Sample Data Sheet)
- Contact Us for Custom Wavelength and Connector Options, Typically Ship Same Day

Thorlabs offers a wide range of narrowband and wideband single mode 2x2 fiber optic couplers, also known as taps. Couplers that can be used at 780 nm are featured below.


Narrowband couplers supporting a center wavelength of 780 nm or 785 nm are available with a bandwidth of ±15 nm and in 50:50, 90:10, and 99:1 coupling ratios. Our wideband couplers for 805 nm ± 75 nm or 850 nm ± 100 nm are offered with coupling ratios of 50:50, 75:25, 90:10, or 99:1. Additionally, these couplers are bidirectional, allowing any port to be used as an input (refer to the *2x2 Coupling Examples* tab above).

Thorlabs provides an individual test data sheet with each coupler. Our wideband couplers feature a detailed test report that includes coupling data and performance graphs that extend outside of the specified bandwidth, covering the wavelength range where the coupling ratio remains within the specified tolerance. Details of our wideband coupler testing procedures are provided on *Coupler Verification* tab, and sample data sheets for our wideband couplers can be viewed here: 805 nm or 850 nm.

These couplers are offered from stock with FC/PC or FC/APC connectors. Fiber leads are jacketed in Ø900 µm Hytel® tubing and are 0.8 m long for all of the couplers except the 850 nm wideband couplers, which have a lead length of 1 m. Custom coupler configurations with other wavelengths, fiber types, coupling ratios, or port configurations are also available. If a custom connector configuration is needed, one-day turnaround is possible for small orders if the order is placed before 12 PM EST. Please contact Tech Support with inquiries.

Our complete selection of 2x2 SM couplers is outlined in the table to the right and on the *SM Coupler Guide* tab.

Animated example of 90:10 splitting and 50:50 mixing.



Click for Details

Each coupler is engraved with the Item #, serial number, and key specifications for easy identification. When the white port on the left is used as the input, the coupling ratios listed below correspond to the ratio of the measured output power from the white (signal output) port to the red (tap output) port.

**2x2 SM Fiber Optic Coupler Selection Guide<sup>a</sup>**

Center Wavelength	Bandwidth
470 nm	±40 nm
488 nm	±15 nm
532 nm	±15 nm
560 nm	±50 nm
630 nm	±50 nm
670 nm	±75 nm
780 nm	±15 nm
805 nm	±75 nm
830 nm	±15 nm
850 nm	±100 nm
930 nm	±100 nm
980 nm	±15 nm
1064 nm	±100 nm ±15 nm
1300 nm	±100 nm
1430 nm	±100 nm
1550 nm	±100 nm
1650 nm	±100 nm
2000 nm	±200 nm
1310 nm/1550 nm	±40 nm

<sup>a</sup> Green shading denotes wideband couplers.

**Alternative Fiber Coupler Options**

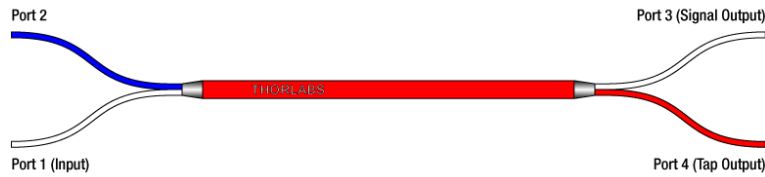
Double-Clad Couplers	Single Mode Couplers			Multimode Couplers		Polarization-Maintaining Couplers		Wavelength Division Multiplexers (WDM)
2x2	1x2	2x2	1x4	Graded-Index 1x2	Step-Index 2x2	1x2	2x2	

[Hide 2x2 Coupler Tutorial](#)

### 2 X 2 COUPLER TUTORIAL

#### Definition of 2x2 Fused Fiber Optic Coupler Specifications

This tab provides a brief explanation of how we determine several key specifications for our 2x2 couplers. The ports of the coupler are defined as shown in the coupler schematic below. In the sections below, the light is input into port 1. Ports 3 and port 4 would then be considered the signal and tap outputs, respectively.



### Excess Loss

Excess loss in dB is determined by the ratio of the total input power to the total output power:

$$\text{Excess Loss}(dB) = 10 \log \frac{P_{port1}(mW)}{P_{port3}(mW) + P_{port4}(mW)}$$

$P_{port1}$  is the input power at port 1 and  $P_{port3}+P_{port4}$  is the total output power from Ports 3 and 4, assuming no input power at port 2. All powers are expressed in mW.

### Optical Return Loss (ORL) / Directivity

The directivity refers to the fraction of input light that exits the coupler through an input port (i.e., light exiting at port 2) instead of the intended output port . It can be calculated in units of dB using the following equation:

$$\text{Directivity}(dB) = 10 \log \frac{P_{port1}(mW)}{P_{port2}(mW)}$$

where  $P_{port1}$  and  $P_{port2}$  are the optical powers (in mW) in port 1 and port 2, respectively. This output is the result of back reflection at the junction of the legs of the coupler and represents a loss in the total light output at ports 3 and 4. For a 50:50 coupler, the directivity is equal to the optical return loss (ORL).

### Insertion Loss

The insertion loss is defined as the ratio of the input power to the output power at one of the output legs of the coupler (signal or tap). Insertion loss is always specified in decibels (dB). It is generally defined using the equation below:

$$\text{Insertion Loss}(dB) = 10 \log \frac{P_{in}(mW)}{P_{out}(mW)}$$

where  $P_{in}$  and  $P_{out}$  are the input and output powers (in mW). For our 2x2 couplers, the insertion loss specification is provided for both signal and tap outputs; our specifications always list insertion loss for the signal output first. To define the insertion loss for a specific output (port 3 or port 4), the equation is rewritten as:

$$\text{Insertion Loss}_{port1 \rightarrow port3}(dB) = 10 \log \frac{P_{port1}(mW)}{P_{port3}(mW)}$$

$$\text{Insertion Loss}_{port1 \rightarrow port4}(dB) = 10 \log \frac{P_{port1}(mW)}{P_{port4}(mW)}$$

A similar equation can be used to define the insertion loss at port 2 for input at port 1. However, as seen above, this is already defined as the directivity of the coupler.

Insertion loss inherently includes both coupling (e.g., light transferred to the other output leg) and excess loss (e.g., light lost from the coupler) effects. The maximum allowed insertion loss for each output, signal and tap, are both specified. Because the insertion loss in each output is correlated to light coupled to the other output, no coupler will ever have the maximum insertion loss in both outputs simultaneously.

### Calculating Insertion Loss using Power Expressed in dBm

Insertion loss can also be easily calculated with the power expressed in units of dBm. The equation below shows the relationship between power expressed in mW and dBm:

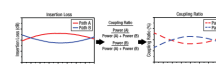
$$P(dBm) = 10 \log P(mW)$$

Then, the insertion loss in dB can be calculated as follows:

$$\text{Insertion Loss}(dB) = P_{in}(dBm) - P_{out}(dBm)$$

### Coupling Ratio

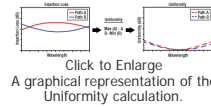
Insertion loss (in dB) is the ratio of the input power to the output power from each leg of the coupler as a function of wavelength. It captures both the coupling ratio and the excess loss. The coupling ratio is calculated from the measured insertion loss. Coupling ratio (in %) is the ratio of the optical power from each output port (A and B) to the sum of the total power of both output ports as a function of wavelength. It is not impacted by spectral features such as the water absorption region because both output legs are affected equally.



Click to Enlarge  
A graphical representation of the coupling ratio calculation.

## Uniformity

The uniformity is also calculated from the measured insertion loss. Uniformity is the variation (in dB) of the insertion loss over the bandwidth. It is a measure of how evenly the insertion loss is distributed over the spectral range. The uniformity of Path A is the difference between the value of highest insertion loss and the solid red insertion loss curve (in the Insertion Plot above). The uniformity of Path B is the difference between the solid blue insertion loss curve and the value of lowest insertion loss.



[Hide 2x2 Coupling Examples](#)

## 2 X 2 COUPLING EXAMPLES & NBSP ;

Animated example of 90:10 splitting and 50:50 mixing.

### General Coupling Examples

2x2 fused fiber optic couplers can split or mix light between two optical fibers with minimal loss and at a specified coupling ratio. Thorlabs' couplers are available from stock in one of four ratios: 50:50, 75:25, 90:10, or 99:1. All of our fused fiber optic couplers are bidirectional, meaning that all ports can be used as an input. The animation to the right shows several simple coupling examples.

The terms "Signal Output" and "Tap Output" refer to the higher and lower power outputs, respectively. To illustrate this, if light is input into the white port of the TW1064R1A2A coupler (99:1 coupling ratio), 99% of the transmitted light is coupled into the white port on the other side of the coupler while the other 1% is coupled into the red port. In this example, the second white port is referred to as the signal output port, and the red port is referred to as a tap output port. For a 50:50 coupler, the signal and tap ports would have the same power output.

In our wideband couplers, the signal always propagates from blue to red or white to white, while the tap always propagates from blue to white or white to red. For our narrowband couplers, please refer to the datasheet included with the coupler to determine signal and tap propagation paths.

### Specific Coupling Examples

In the examples below, two 2x2 1300 nm Wideband Fiber Optic Couplers (50:50 and 90:10 coupling ratios) are used with input signals A and B. The table to the right lists typical insertion loss (signal and tap outputs) for each coupler. To calculate the power at any given output, subtract the insertion loss for the signal or tap output from the input power (in dBm).

Coupling Ratio	Insertion Loss (Signal)	Insertion Loss (Tap)
90:10	0.6 dB	10.1 dB
50:50	3.2 dB	3.2 dB

#### Example 1: Splitting Light from a Single Input

For this example, the couplers are used to split light from a single input into the signal and tap outputs as indicated in the diagrams below. In the table below, the output ports are highlighted in green.

Port	90:10 Coupling Ratio		50:50 Coupling Ratio	
	Signal A	Tap	Signal A	Tap
1 (Input)	10 dBm (10 mW)	-	10 dBm (10 mW)	-
2 (Not Used)	-	-	-	-
3 (Signal Output)	9.4 dBm (8.7 mW)	-	6.8 dBm (4.8 mW)	-
4 (Tap Output)	-0.1 dBm (1.0 mW)	-	6.8 dBm (4.8 mW)	-

Click on the Diagram for Power Distributions at Each Port

90:10 Coupling Ratio

Port 1: Input A

Port 3: Output A (Signal)

Port 4: Output A (Tap)

Click on the Diagram for Power Distributions at Each Port

50:50 Coupling Ratio

Port 1: Input A

Port 3: Output A (Signal)

Port 4: Output A (Tap)

#### Example 2: Mixing Two Signals from Two Inputs

In this example, the couplers are used to mix light from two inputs, designated Signal A and Signal B. The outputs contain a mixed signal composed of both Signal A and Signal B in ratios depending on the coupling ratio. All ports are indicated in the diagrams below. In the table below, the output ports are highlighted in green.

Port	90:10 Coupling Ratio		50:50 Coupling Ratio	
	Signal A	Signal B	Signal A	Signal B
1 (Input A)	5 dBm (3.2 mW)	-	5 dBm (3.2 mW)	-
2 (Input B)	-	8 dBm (6.3 mW)	-	8 dBm (6.3 mW)
3 (Output)	4.4 dBm (2.8 mW)	-2.1 dBm (0.6 mW)	1.6 dBm (1.4 mW)	4.8 dBm (3.0 mW)
4 (Output)	-5.1 dBm (0.3 mW)	7.4 dBm (5.5 mW)	1.6 dBm (1.4 mW)	4.8 dBm (3.0 mW)

Click on the Diagram for Power Distributions at Each Port

90:10 Coupling Ratio

Port 1: Input A

Port 2: Input B

Port 3: Output A (Signal) Output B (Tap)

Port 4: Output A (Signal) Output B (Tap)

Click on the Diagram for Power Distributions at Each Port

50:50 Coupling Ratio

Port 1: Input A

Port 2: Input B

Port 3: Output A (Signal) Output B (Tap)

Port 4: Output A (Tap) Output B (Signal)

#### Example 3: Coupling a Return Signal with a Reflector on Port 4

Here, the couplers are used to split light from a single input, however, in this example there is a 100% reflector on port 4, as shown in the diagrams below. As a result, the light is reflected back into the coupler and split again. The ports are indicated in the diagrams below. In the table below, the output ports for the initial pass are highlighted in green.

Port	90:10 Coupling Ratio		50:50 Coupling Ratio	
	Signal A	Reflected Signal A	Signal A	Reflected Signal A
1 (Input)	6 dBm (4.0 mW)	-14.2 dBm (0.04 mW)	6 dBm (4.0 mW)	-0.4 dBm (0.9 mW)
2 (No Input)	-	-4.7 dBm (0.34 mW)	-	-0.4 dBm (0.9 mW)
3 (Signal Output)	5.4 dBm (3.5 mW)	-	2.8 dBm (1.9 mW)	-
4 (Reflected Output)	-4.1 dBm (0.39 mW) Reflected	-	2.8 dBm (1.9 mW) Reflected	-

Click on the Diagram for Power Distributions at Each Port



[Hide Coupler Verification](#)

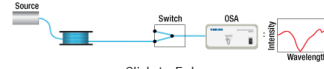
## COUPLER VERIFICATION

### Wideband Fiber Coupler Testing and Verification Procedure

During Thorlabs' coupling manufacturing process, the coupling ratio and bandwidth of each wideband coupler is monitored as the two branches are fused together. This ensures that each coupler meets the stated specifications over the bandwidth. Each wideband coupler is shipped with an individualized data sheet providing a summary of the results of these tests. Click here for a sample data sheet: 805 nm or 850 nm.

#### Step 1

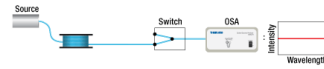
The fiber to create the first branch (Path A) of the coupler is connected to a source on one side and a switch leading to an Optical Spectrum Analyzer (OSA) on the other.



[Click to Enlarge](#)

#### Step 2

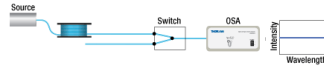
The spectrum of the source through the fiber and switch is measured using the OSA and zeroed.



[Click to Enlarge](#)

#### Step 3

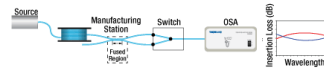
The fiber to form the second branch (Path B) of the coupler is connected to the source and to the second port of the switch leading to the OSA. The spectrum of the source through the fiber and switch is also measured and zeroed.



[Click to Enlarge](#)

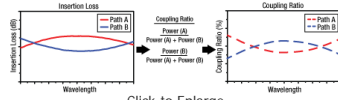
#### Step 4

The two fibers are fused on a manufacturing station to create the coupler structure. During the fusing process, the output from both legs of the coupler is monitored on the OSA. Coupler fusing stops once the coupler reaches the desired coupling ratio, excess loss, and insertion loss specifications.



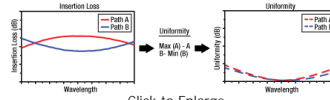
[Click to Enlarge](#)

For 1x2 couplers, one of the fiber ends is terminated within the coupler housing. The termination is done in a manner that minimizes back reflections from this output.



[Click to Enlarge](#)

Insertion loss (in dB) is the ratio of the input power to the output power from each leg of the coupler as a function of wavelength. It captures both the coupling ratio and the excess loss. The coupling ratio is calculated from the measured insertion loss. Coupling ratio (in %) is the ratio of the optical power from each output port (A and B) to the sum of the total power of both output ports as a function of wavelength. It is not impacted by spectral features such as the water absorption region because both output legs are affected equally. Persistence plots showing the coupling ratio of our wideband couplers can be viewed by clicking on the blue info icons below.



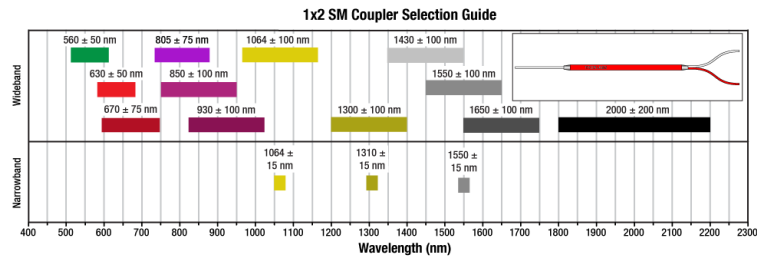
[Click to Enlarge](#)

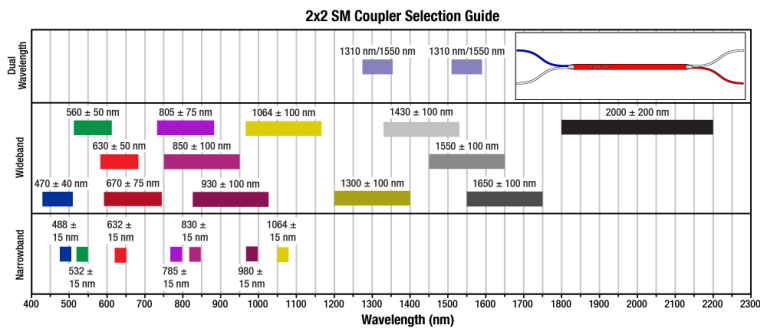
The uniformity is also calculated from the measured insertion loss. Uniformity is the variation (in dB) of the insertion loss over the bandwidth. It is a measure of how evenly the insertion loss is distributed over the spectral range. The uniformity of Path A is the difference between the value of highest insertion loss and the solid red insertion loss curve (in the Insertion Plot above). The uniformity of Path B is the difference between the solid blue insertion loss curve and the value of lowest insertion loss. Persistence plots showing the uniformity of our wideband couplers can be viewed by clicking on the blue info icons below.

[Hide SM Coupler Guide](#)

## SM COUPLER GUIDE

Our 1x2 and 2x2 Single Mode Coupler offerings are outlined in the graphs below. Click on the colored bars to visit the web presentation for each coupler.





[Hide 50:50 Fiber Optic Couplers](#)

### 50:50 Fiber Optic Couplers

Thorlabs offers both narrowband and wideband fiber optic couplers. All specifications are measured without connectors during the manufacturing process. Additional information on the testing process for our wideband couplers can be found on the *Coupler Verification* tab above. Our wideband couplers are highlighted green in the table below.

Item #	Info	Center Wavelength	Bandwidth	Coupling Ratio <sup>a</sup> (%)	Coupling Ratio Tolerance	Insertion Loss <sup>a</sup>	Excess Loss <sup>a</sup>	Uniformity <sup>a</sup>	Fiber Type <sup>b</sup>	Termination
TN785R5F2 <sup>c,d</sup>		785 nm	±15 nm <sup>e</sup>	50:50 (Click for Plot)	±5.0%	≤3.8 dB / ≤3.8 dB	≤0.3 dB	-	780HP	FC/PC
TN785R5A2 <sup>c,d</sup>										FC/APC
TW805R5F2 <sup>c,d</sup>		805 nm	±75 nm <sup>e</sup>	50:50 (Click for Plot)	±6.0%	≤3.9 dB / ≤3.9 dB	≤0.3 dB	≤0.8 dB (Click for Plot)	780HP	FC/PC
TW805R5A2 <sup>c,d</sup>										FC/APC
TW850R5F2 <sup>c,d</sup>		850 nm	±100 nm <sup>e</sup>	50:50 (Click for Plot)	±6.0%	≤3.9 dB / ≤3.9 dB	≤0.3 dB	≤1.0 dB (Click for Plot)	780HP	FC/PC
TW850R5A2 <sup>c,d</sup>										FC/APC

- Please see the *2x2 Coupler Tutorial* tab for more information on these terms.
- Other fiber types may be available upon request. Please contact Tech Support with inquiries.
- All values are specified at room temperature over the bandwidth and measured using the white port as the input, as indicated in the diagram above; similar performance is achieved (≤0.05 dB difference) when the blue port is used as the input.
- Below the cut-off wavelength, single mode operation is not guaranteed (click on the blue info icon for more information).
- This value represents the minimum bandwidth over which the coupler is guaranteed to meet its specifications. Each coupler is shipped with an individual item data sheet that provides information on coupler performance for the wavelength range over which the coupler operates within the coupling ratio tolerance.

Part Number	Description	Price	Availability
TN785R5F2	2x2 Narrowband Fiber Optic Coupler, 785 ± 15 nm, 50:50 Split, FC/PC	\$189.00	Today
TN785R5A2	2x2 Narrowband Fiber Optic Coupler, 785 ± 15 nm, 50:50 Split, FC/APC	\$230.00	Today
TW805R5F2	2x2 Wideband Fiber Optic Coupler, 805 ± 75 nm, 50:50 Split, FC/PC	\$276.00	Today
TW805R5A2	2x2 Wideband Fiber Optic Coupler, 805 ± 75 nm, 50:50 Split, FC/APC	\$317.00	Today
TW850R5F2	2x2 Wideband Fiber Optic Coupler, 850 ± 100 nm, 50:50 Split, FC/PC	\$317.00	Today
TW850R5A2	2x2 Wideband Fiber Optic Coupler, 850 ± 100 nm, 50:50 Split, FC/APC	\$357.00	3-5 Days

[Hide 75:25 Fiber Optic Couplers](#)

### 75:25 Fiber Optic Couplers

Thorlabs offers both narrowband and wideband fiber optic couplers. All specifications are measured without connectors during the manufacturing process. Additional information on the testing process for our wideband couplers can be found on the *Coupler Verification* tab above. Our wideband couplers are highlighted green in the table below.

Item #	Info	Center Wavelength	Bandwidth	Coupling Ratio <sup>a</sup> (%)	Coupling Ratio Tolerance	Insertion Loss <sup>a</sup>	Excess Loss <sup>a</sup>	Uniformity <sup>a</sup>	Fiber Type <sup>b</sup>	Termination
TN785R3F2 <sup>c,d</sup>		785 nm	±15 nm <sup>e</sup>	75:25 (Click for Plot)	±3.0%	≤1.7 dB / ≤6.9 dB	≤0.3 dB	-	780HP	FC/PC
TN785R3A2 <sup>c,d</sup>										FC/APC
TW805R3F2 <sup>c,d</sup>		805 nm	±75 nm <sup>e</sup>	75:25 (Click for Plot)	±3.75%	≤1.8 dB / ≤7.0 dB	≤0.3 dB	≤1.0 dB (Click for Plot)	780HP	FC/PC
TW805R3A2 <sup>c,d</sup>										FC/APC
TW850R3F2 <sup>c,d</sup>		850 nm	±100 nm <sup>e</sup>	75:25 (Click for Plot)	±3.75%	≤1.8 dB / ≤7.0 dB	≤0.3 dB	≤1.25 dB (Click for Plot)	780HP	FC/PC
TW850R3A2 <sup>c,d</sup>										FC/APC

- Please see the *2x2 Coupler Tutorial* tab for more information on these terms.
- Other fiber types may be available upon request. Please contact Tech Support with inquiries.
- All values are specified at room temperature over the bandwidth and measured using the white port as the input, as indicated in the diagram above; similar performance is achieved (≤0.05 dB difference) when the blue port is used as the input.
- Below the cut-off wavelength, single mode operation is not guaranteed (click on the blue info icon for more information).
- This value represents the minimum bandwidth over which the coupler is guaranteed to meet its specifications. Each wideband coupler is shipped with an individual item data sheet that provides information on coupler performance for the wavelength range over which the coupler operates within ±3.75% of the specified coupling ratio.

Part Number	Description	Price	Availability
TN785R3F2	2x2 Narrowband Fiber Optic Coupler, 785 ± 15 nm, 75:25 Split, FC/PC	\$189.00	Today
TN785R3A2	2x2 Narrowband Fiber Optic Coupler, 785 ± 15 nm, 75:25 Split, FC/APC	\$230.00	Today
TW805R3F2	2x2 Wideband Fiber Optic Coupler, 805 ± 75 nm, 75:25 Split, FC/PC	\$276.00	Today

TW805R3A2	2x2 Wideband Fiber Optic Coupler, 805 ± 75 nm, 75:25 Split, FC/APC	\$317.00	Today
TW850R3F2	2x2 Wideband Fiber Optic Coupler, 850 ± 100 nm, 75:25 Split, FC/PC	\$317.00	Today
TW850R3A2	2x2 Wideband Fiber Optic Coupler, 850 ± 100 nm, 75:25 Split, FC/APC	\$357.00	Today

[Hide 90:10 Fiber Optic Couplers](#)

### 90:10 Fiber Optic Couplers

Thorlabs offers both narrowband and wideband fiber optic couplers. All specifications are measured without connectors during the manufacturing process. Additional information on the testing process for our wideband couplers can be found on the *Coupler Verification* tab above. Our wideband couplers are highlighted green in the table below.

Item #	Info	Center Wavelength	Bandwidth	Coupling Ratio <sup>a</sup> (%)	Coupling Ratio Tolerance	Insertion Loss <sup>a</sup>	Excess Loss <sup>a</sup>	Uniformity <sup>a</sup>	Fiber Type <sup>b</sup>	Termination
FC780-90B-FC		780 nm	±15 nm	90:10	±2.0%	0.8 dB / 11 dB	0.3 dB (Typical)	-	780HP	FC/PC
FC780-90B-APC										FC/APC
TW805R2F2 <sup>c,d</sup>		805 nm	±75 nm <sup>e</sup>	90:10 (Click for Plot)	±3.0%	≤0.9 dB / ≤11.8 dB	≤0.3 dB	≤1.0 dB (Click for Plot)	780HP	FC/PC
TW805R2A2 <sup>c,d</sup>										FC/APC
TW850R2F2 <sup>c,d</sup>		850 nm	±100 nm <sup>e</sup>	90:10 (Click for Plot)	±3.0%	≤0.9 dB / ≤11.8 dB	≤0.3 dB	≤2.0 dB (Click for Plot)	780HP	FC/PC
TW850R2A2 <sup>c,d</sup>										FC/APC

- Please see the *2x2 Coupler Tutorial* tab for more information on these terms.
- Other fiber types may be available upon request. Please contact Tech Support with inquiries.
- All values are specified at room temperature over the bandwidth and measured using the white port as the input, as indicated in the diagram above; similar performance is achieved (≤0.05 dB difference) when the blue port is used as the input.
- Below the cut-off wavelength, single mode operation is not guaranteed (click on the blue info icon for more information).
- This value represents the minimum bandwidth over which the coupler is guaranteed to meet its specifications. Each wideband coupler is shipped with an individual item data sheet that provides information on coupler performance for the wavelength range over which the coupler operates within the coupling ratio tolerance.

Part Number	Description	Price	Availability
FC780-90B-FC	Customer Inspired! 2x2 Fiber Optic Coupler, 780 ± 15 nm, 90:10 Split, FC/PC	\$189.00	3-5 Days
TW805R2F2	2x2 Wideband Fiber Optic Coupler, 805 ± 75 nm, 90:10 Split, FC/PC	\$276.00	Today
TW805R2A2	2x2 Wideband Fiber Optic Coupler, 805 ± 75 nm, 90:10 Split, FC/APC	\$317.00	Today
TW850R2F2	2x2 Wideband Fiber Optic Coupler, 850 ± 100 nm, 90:10 Split, FC/PC	\$317.00	Today
TW850R2A2	2x2 Wideband Fiber Optic Coupler, 850 ± 100 nm, 90:10 Split, FC/APC	\$357.00	Today

[Hide 99:1 Fiber Optic Couplers](#)

### 99:1 Fiber Optic Couplers

Thorlabs offers both narrowband and wideband fiber optic couplers. All specifications are measured without connectors during the manufacturing process. Additional information on the testing process for our wideband couplers can be found on the *Coupler Verification* tab above. Our wideband couplers are highlighted green in the table below.

Item #	Info	Center Wavelength	Bandwidth	Coupling Ratio <sup>a</sup> (%)	Coupling Ratio Tolerance	Insertion Loss <sup>a</sup>	Excess Loss <sup>a</sup>	Uniformity <sup>a</sup>	Fiber Type <sup>b</sup>	Termination
FC780-99B-FC		780 nm	±15 nm	99:1	±0.3%	0.4 dB / 21 dB	0.3 dB (Typical)	-	780HP	FC/PC
FC780-99B-APC										FC/APC
TW805R1F2 <sup>c,d</sup>		805 nm	±75 nm <sup>e</sup>	99:1 (Click for Plot)	±0.6%	≤0.4 dB / ≤24.3 dB	≤0.3 dB	≤2.0 dB (Click for Plot)	780HP	FC/PC
TW805R1A2 <sup>c,d</sup>										FC/APC
TW850R1F2 <sup>c,d</sup>		850 nm	±100 nm <sup>e</sup>	99:1 (Click for Plot)	±0.6%	≤0.4 dB / ≤24.3 dB	≤0.3 dB	≤3.0 dB (Click for Plot)	780HP	FC/PC
TW850R1A2 <sup>c,d</sup>										FC/APC

- Please see the *2x2 Coupler Tutorial* tab for more information on these terms.
- Other fiber types may be available upon request. Please contact Tech Support with inquiries.
- All values are specified at room temperature over the bandwidth measured using the white port as the input, as indicated in the diagram above; similar performance is achieved (≤0.05 dB difference) when the blue port is used as the input.
- Below the cut-off wavelength, single mode operation is not guaranteed (click on the blue info icon for more information).
- This value represents the minimum bandwidth over which the coupler is guaranteed to meet its specifications. Each wideband coupler is shipped with an individual item data sheet that provides information on coupler performance for the wavelength range over which the coupler operates within the coupling ratio tolerance.

Part Number	Description	Price	Availability
FC780-99B-APC	2x2 Fiber Optic Coupler / Tap, 780 ± 15 nm, 99:1 Split, FC/APC	\$230.00	3-5 Days
TW805R1A2	2x2 Wideband Fiber Optic Coupler: 805 ± 75 nm, 99:1 Split, FC/APC	\$317.00	Today
TW805R1F2	2x2 Wideband Fiber Optic Coupler: 805 ± 75 nm, 99:1 Split, FC/PC	\$276.00	Today
TW850R1F2	2x2 Wideband Fiber Optic Coupler, 850 ± 100 nm, 99:1 Split, FC/PC	\$317.00	Today
TW850R1A2	2x2 Wideband Fiber Optic Coupler, 850 ± 100 nm, 99:1 Split, FC/APC	\$357.00	Today

## Specs

Coupler Specifications <sup>a</sup>	
Coupling Ratio	90:10
Center Wavelength	780 nm
Bandwidth	±15 nm
Insertion Loss	0.8 dB / 11 dB
Excess Loss	0.3 dB (Typical)
Polarization-Dependent Loss (PDL)	≤0.2 dB
Directivity	>50 dB
Fiber Type	780HP
Port Configuration	2x2
Fiber Lead Length and Tolerance	0.8 m +0.075 m/-0 m
Connectors	2.0 mm Narrow Key FC/APC
Package Size	Ø0.15" x 2.60" (Ø3.8 mm x 66.0 mm)
Jacket	900 µm Loose Furcation Tubing
Operating Temperature	-40 to 85 °C

a. All specifications are measured without connectors during the manufacturing process.