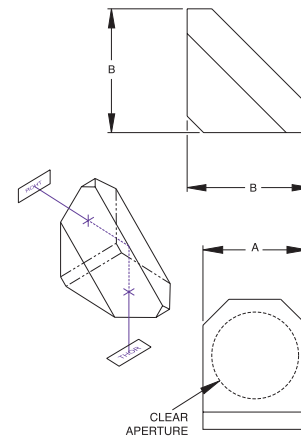




## Roof Prism

### Specifications

- **Material:** BK7, Grade A Fine Anneal
- **Angular Tolerances:**  $\pm 3$  arcmin
- **Surface Quality:** 40-20 Scratch-Dig
- **Surface Flatness:**  $\lambda/10$  (70% of Clear Aperture)



This Roof Prism is used when a right angle deflection of an image or laser beam is required. In passing through the prism, the image is both deflected right-to-left and top-to-bottom. The hypotenuse of the prism utilizes TIR (total internal reflection) to reflect the image through the prism.

Custom Sizes & Coating Available, Please Call

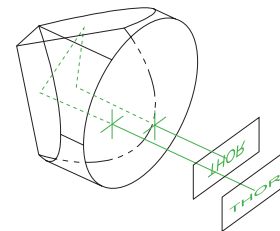
ITEM#	\$	£	€	RMB	A	B	DESCRIPTION
PS950	\$ 43.80	£ 27.60	€ 40,70	¥ 418.30	12mm	15mm	10mm Clear Aperture Roof Prism
PS951	\$ 52.50	£ 33.10	€ 48,80	¥ 501.40	18mm	23mm	15mm Clear Aperture Roof Prism



## Retro-Reflector

### Specifications

- **Material:** BK7, Grade A Fine Anneal
- **Surface Quality:** 40-20 Scratch-Dig
- **Surface Flatness:**  $\lambda/10$  (70% of Clear Aperture)
- **Beam Deviation:** 1 arcmin



This trihedral prism is manufactured from a solid piece of glass; via three total internal reflections (TIR), an image or beam is reflected back toward its original direction. The beam or image will be reflected through 180° even if the angle of incidence is not zero. The insensitivity of the alignment of the prism makes it an ideal retro-reflecting optic.

ITEM#	\$	£	€	RMB	DIAMETER	L	DESCRIPTION
PS970	\$ 81.30	£ 51.20	€ 75,60	¥ 776.40	10mm	9mm	Ø10mm Retro-Reflector Prism
PS971	\$ 93.80	£ 59.10	€ 87,20	¥ 895.80	25.4mm	22mm	Ø25.4mm Retro-Reflector Prism
PS972	\$ 105.00	£ 66.20	€ 97,70	¥ 1,002.80	30mm	25mm	Ø30mm Retro-Reflector Prism
PS973	\$ 111.30	£ 70.10	€ 103,50	¥ 1,062.90	50mm	42mm	Ø50mm Retro-Reflector Prism

## Mounted Retro-Reflector

Our standard retro-reflecting prisms are now available in mounted versions. The multipurpose mount allows for the prism to be integrated easily into an optical setup while eliminating the need to handle the prism. The mount is compatible with the 30mm cage system and the C4W and C6W cage cubes. In addition, the mount can be used with our Ø1" lens tubes due to the SM1 threading on the front of the mount, and can be secured to a post using the #8-32 threaded hole.



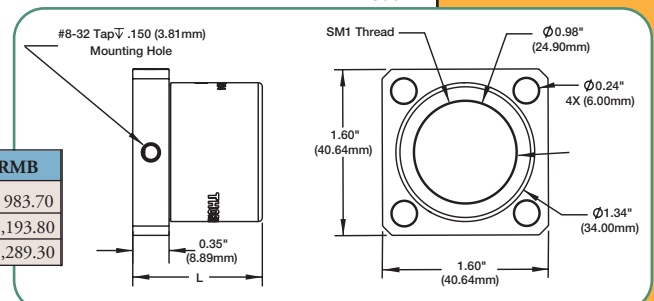
PM1-RR10



PM1-RR254



PM1-RR300



ITEM #	L	DISCRIPTION	\$	£	€	RMB
PM1-RR10	17.83mm	Mounted PS970 (Ø10mm Retro-Reflector Prism)	\$ 103.00	£ 64.90	€ 95,80	¥ 983.70
PM1-RR254	31.73mm	Mounted PS971 (Ø25.4mm Retro-Reflector Prism)	\$ 125.00	£ 78.80	€ 116,30	¥1,193.80
PM1-RR300	36.28mm	Mounted PS972 (Ø30mm Retro-Reflector Prism)	\$ 135.00	£ 85.10	€ 125,60	¥1,289.30

- Optical Systems
- Free Space Isolators
- E-O Devices
- Spherical Singlets
- Multi-Element Lenses
- Cylindrical Lenses
- Aspheric Lenses
- Mirrors
- Diffusers & Lens Arrays
- Windows
- Prisms
- Gratings
- Polarization Optics
- Beamsplitters
- Filters & Attenuators
- Gas Cells