

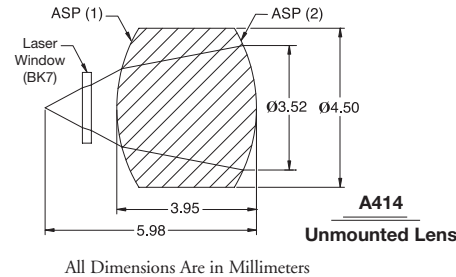
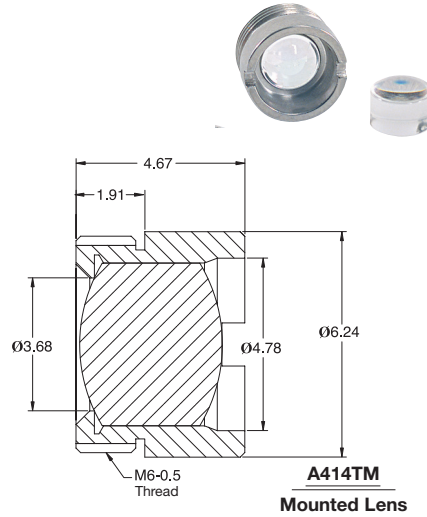
## A414 f = 3.3mm and 0.47 NA

### Rochester Precision Molded Glass Aspheric Lens

Optical Design Specifications

- Design Wavelength: 670nm
- Numerical Aperture: 0.47
- Clear Aperture: 3.52mm
- Effective Focal Length: 3.3mm
- Magnification: Infinite
- Laser Window Thickness: 0.25mm
- Laser Window Material/Index: BK7/1.51
- RMS WFE (axial @ 632.8nm):<sup>1</sup> ≤0.20
- Scratch-Dig: 40-20
- Glass (Hoya): SF57

<sup>1</sup> Averaged over full aperture



All Dimensions Are in Millimeters

### Aspheric Coefficients

	R	k	A <sub>4</sub>	A <sub>6</sub>	A <sub>8</sub>	A <sub>10</sub>
ASP (2)	4.37	-0.7375985	-2.9258960E-03	-2.7938690E-04	-2.4618570E-05	8.2589960E-06
ASP (1)	-4.37	-0.7375985	2.9258960E-03	2.7938690E-04	2.4618570E-05	-8.2589900E-06

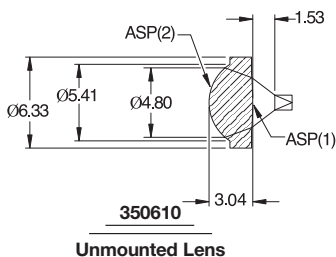
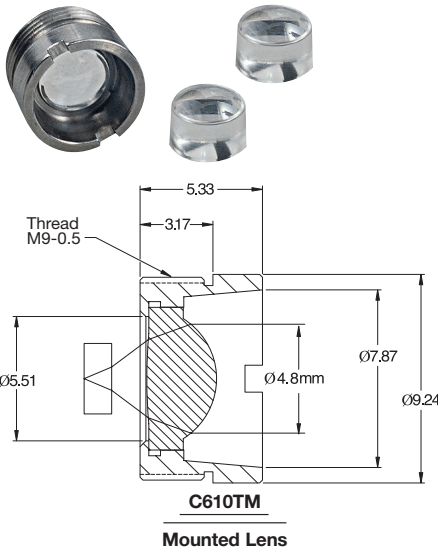
### Unmounted AR Coated Aspheric Lenses

ITEM #	\$	£	€	RMB	DESCRIPTION
A414-A	\$ 81.55	£ 51.40	€ 75,80	¥ 778.80	Lens, AR Coated 350-600nm
A414-B	\$ 81.55	£ 51.40	€ 75,80	¥ 778.80	Lens, AR Coated 600-1050nm
A414-C	\$ 81.55	£ 51.40	€ 75,80	¥ 778.80	Lens, AR Coated 1050-1550nm

### Mounted AR Coated Aspheric Lenses

ITEM #	\$	£	€	RMB	DESCRIPTION
A414TM-A	\$ 87.60	£ 55.20	€ 81,50	¥ 836.60	Mounted Lens, AR Coated 350-600nm
A414TM-B	\$ 87.60	£ 55.20	€ 81,50	¥ 836.60	Mounted Lens, AR Coated 600-1050nm
A414TM-C	\$ 87.60	£ 55.20	€ 81,50	¥ 836.60	Mounted Lens, AR Coated 1050-1550nm

## 350610 f = 4.0mm and 0.60 NA



All Dimensions Are in Millimeters

### Geltech™ Molded Glass Aspheric Collimator Lens

Optical Design Specifications

- Design Wavelength: 410nm
- Numerical Aperture: 0.60
- Clear Aperture: 4.8mm
- Effective Focal Length: 4.00mm
- Magnification: Infinite
- Laser Window Thickness: 1.20mm
- Laser Window Material/Index: K3/1.518
- RMS WFE (Axial @ 632.8nm):<sup>1</sup> <Diffraction Limit
- Scratch-Dig: 40-20
- Glass (Corning): C0550

<sup>1</sup> Averaged over full aperture

Geltech™ lenses are manufactured by LightPath® Technologies

### Application Note:

The 350610 lens and the 352671 lens have been designed to work as a pair. The 350610 lens is for collimating, and the 352671 lens is for focusing.

### Aspheric Coefficients

	R	k	A <sub>4</sub>	A <sub>6</sub>	A <sub>8</sub>	A <sub>10</sub>
ASP (2)	2.77	-0.5333481	4.0202960E-04	-7.4938670E-05	2.4030490E-05	-3.1803610E-06
ASP (1)	-14.58	-191.5207000	-1.4433630E-03	1.4648185E-03	-4.7042041E-04	4.8133394E-05

### Unmounted AR Coated Aspheric Lenses

ITEM #	\$	£	€	RMB	DESCRIPTION
350610-A	\$ 84.00	£ 52.90	€ 78,10	¥ 802.20	Lens, AR Coated 400-600nm
350610-B	\$ 84.00	£ 52.90	€ 78,10	¥ 802.20	Lens, AR Coated 600-1050nm
350610-C	\$ 84.00	£ 52.90	€ 78,10	¥ 802.20	Lens, AR Coated 1050-1600nm

### Mounted AR Coated Aspheric Lenses

ITEM #	\$	£	€	RMB	DESCRIPTION
C610TM-A	\$ 89.00	£ 56.10	€ 82,80	¥ 850.00	Mounted Lens, AR Coated 400- 600nm
C610TM-B	\$ 89.00	£ 56.10	€ 82,80	¥ 850.00	Mounted Lens, AR Coated 600-1050nm
C610TM-C	\$ 89.00	£ 56.10	€ 82,80	¥ 850.00	Mounted Lens, AR Coated 1050-1600nm