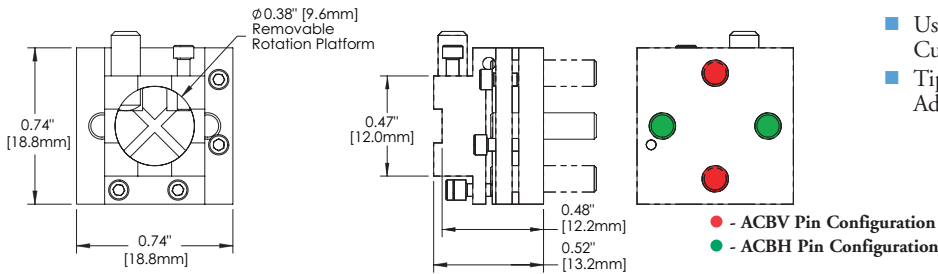
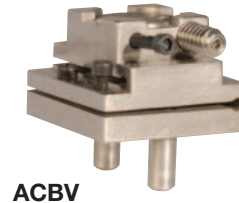


## Flexure Bases

There are several general optics mounts that can be used to attach customer-supplied optical components to the FiberBench and FiberTable. All modules are designed to put the optic at the appropriate beam height through the system. Modules are available for fixed static mounting, flexure, and rotational mounting. See page 1030 for tutorial.



- Use for Beamsplitter Plates and Cubes
- Tip, Tilt, and Rotation Stage Adjustment



ACBV

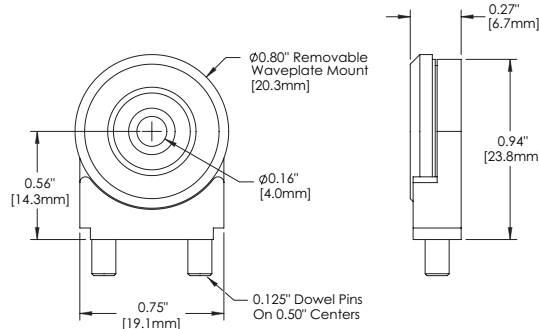
ITEM#	\$	£	€	RMB	DESCRIPTION
ACBV	\$ 290.00	£ 182.70	€ 269,70	¥ 2,769.50	FiberBench Flexure Base, Vertical Pins
ACBH	\$ 290.00	£ 182.70	€ 269,70	¥ 2,769.50	FiberBench Flexure Base, Horizontal Pins

## Rotation Mount



RCB

- Use for Rotating Filters or Polarizers
- Magnetic Mount for Smooth Continuous Rotation
- 360° Rotation
- 1.5° Measurement Precision



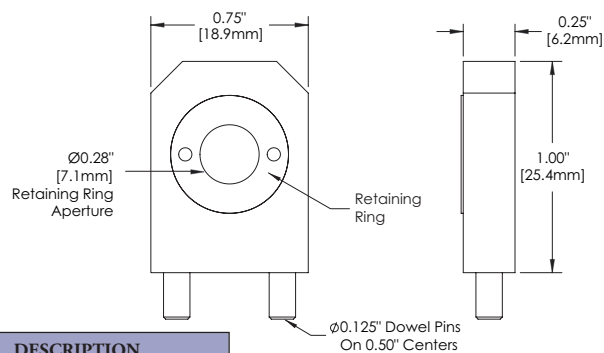
ITEM#	\$	£	€	RMB	DESCRIPTION
RCB	\$ 95.00	£ 59.90	€ 88,40	¥ 907.30	FiberBench Rotation Mount

## 1/2" Optics Mount



HOM

- 1/2" ID Holder With Retaining Ring
- Maximum Optical Thickness 1.5mm



ITEM#	\$	£	€	RMB	DESCRIPTION
HOM	\$ 55.00	£ 34.70	€ 51,20	¥ 525.30	FiberBench 1/2" Optics Mount

## Aperture Plates

Aperture plates are a useful tool for system alignment. The aperture plate is mounted into the above HOM mount and is then used to establish an optical center line in a FiberBench/FiberTable system. It is also useful for blocking stray light or other unwanted light in an optical system.

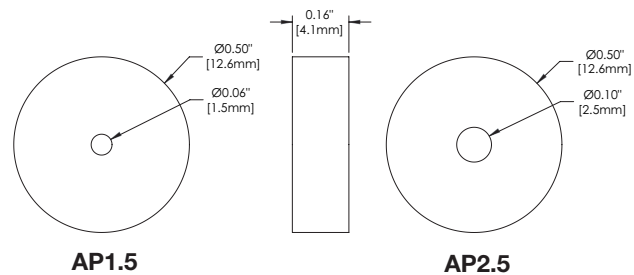


AP1.5



AP2.5

- Mounts in HOM 1/2" Optic Mount
- 1.5 and 2.5mm Apertures



ITEM#	\$	£	€	RMB	DESCRIPTION
AP1.5	\$ 20.00	£ 12.60	€ 18,60	¥ 191.00	HOM Aperture Plate 1.5mm
AP2.5	\$ 20.00	£ 12.60	€ 18,60	¥ 191.00	HOM Aperture Plate 2.5mm