

Fiber Optics

Passive Components

Collimation Packages

FiberBench

Optical Switches

Rackbox Systems

Connectors/
Termination Tools

Single-Mode Fiber

Rare Earth Doped

Single-Mode: PM

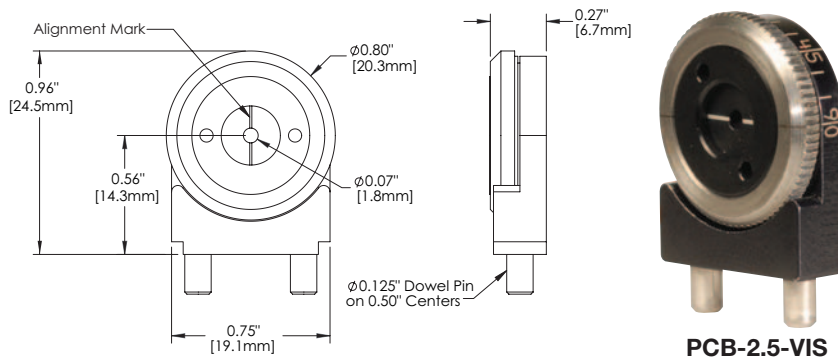
Photonic
Crystal Fiber

Multimode Fiber:
Graded Index

Multimode Fiber:
Step Index

Plastic Optical Fiber

Linear Polarizer Modules



Specifications

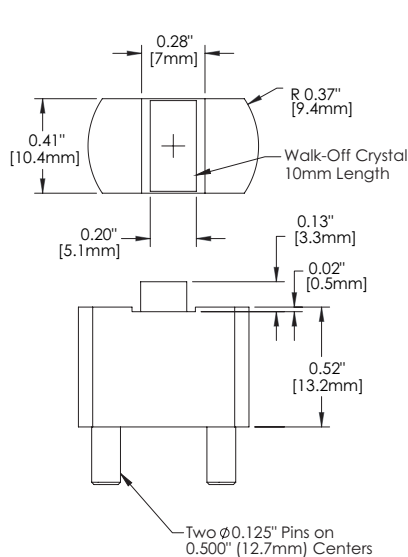
- Thin Film Linear Polarizer
- AR Coated Film Between Glass Plates
- 10,000:1 Extinction
- Wavefront Error $< \lambda/10$
- 1.5 and 2.5mm Apertures
- 360° Rotation
- 1.5° Measurement Precision
- Magnetic Mount for Smooth Continuous Rotation

This series of polarizer modules utilizes dichroic film polarizers that absorb the light not aligned to the transmission axis of the polarizer. While these polarizers provide excellent extinction their absorptive nature limits their power handling capability to 500mW spread over the aperture.

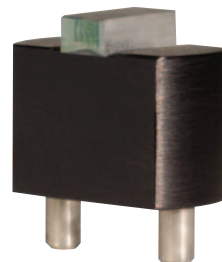
Rotating Linear Polarizer Modules

ITEM#	\$	£	€	RMB	APERTURE	WAVELENGTH	TRANSMISSION	EXTINCTION
PCB-2.5-VIS	\$ 265.00	£ 167.00	€ 246.50	¥ 2,530.80	2.5mm	630-690nm	>80%	>40dB
PCB-2.5-NIR	\$ 265.00	£ 167.00	€ 246.50	¥ 2,530.80	2.5mm	750-870nm	>90%	>40dB
PCB-2.5-YAG	\$ 265.00	£ 167.00	€ 246.50	¥ 2,530.80	2.5mm	970-1100nm	>95%	>40dB
PCB-1.5-1310	\$ 265.00	£ 167.00	€ 246.50	¥ 2,530.80	1.5mm	1270-1350nm	>97%	>40dB
PCB-1.5-1550	\$ 265.00	£ 167.00	€ 246.50	¥ 2,530.80	1.5mm	1500-1600nm	>98%	>40dB
PCB-2.5-1310	\$ 434.00	£ 273.40	€ 403.60	¥ 4,144.70	2.5mm	1270-1350nm	>97%	>40dB
PCB-2.5-1550	\$ 434.00	£ 273.40	€ 403.60	¥ 4,144.70	2.5mm	1500-1600nm	>98%	>40dB

Walk-Off Polarizer Module



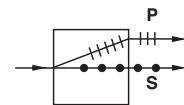
PBB-VIS-10-L



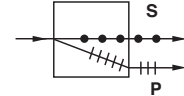
Specifications

- AR Coated Calcite Polarizer
- 100,000:1 Extinction
- Beam Displacement 1mm
- Maximum Beam Input 1mm
- 500W/cm² Power Handling
- Broadband Operation

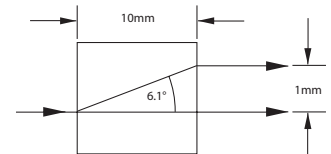
Right-Handed Walk-Off Polarizer



Left-Handed Walk-Off Polarizer



Internal Separation Angle



Calcite Walk-Off Polarizer Modules

ITEM#	\$	£	€	RMB	APERTURE	WAVELENGTH	TRANSMISSION	EXTINCTION
PBB-VIS-10-L	\$ 270.00	£ 170.10	€ 251.10	¥ 2,578.50	1.0mm	620-690nm	>96%	>50dB
PBB-VIS-10-R	\$ 270.00	£ 170.10	€ 251.10	¥ 2,578.50	1.0mm	620-690nm	>96%	>50dB
PBB-NIR-10-L	\$ 270.00	£ 170.10	€ 251.10	¥ 2,578.50	1.0mm	770-870nm	>97%	>50dB
PBB-NIR-10-R	\$ 270.00	£ 170.10	€ 251.10	¥ 2,578.50	1.0mm	770-870nm	>97%	>50dB
PBB-YAG-10-L	\$ 270.00	£ 170.10	€ 251.10	¥ 2,578.50	1.0mm	970-1080nm	>97%	>50dB
PBB-YAG-10-R	\$ 270.00	£ 170.10	€ 251.10	¥ 2,578.50	1.0mm	970-1080nm	>97%	>50dB
PBB-IR-10-L	\$ 270.00	£ 170.10	€ 251.10	¥ 2,578.50	1.0mm	1280-1625nm	>97%	>50dB
PBB-IR-10-R	\$ 270.00	£ 170.10	€ 251.10	¥ 2,578.50	1.0mm	1280-1625nm	>97%	>50dB