

Fiber Optics

Passive Components

Collimation Packages

FiberBench

Optical Switches

Rackbox Systems

Connectors/
Termination Tools

Single-Mode Fiber

Rare Earth Doped

Single-Mode: PM

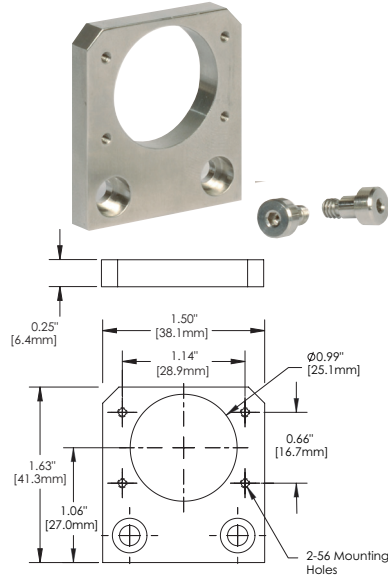
Photonic
Crystal Fiber

Multimode Fiber:
Graded Index

Multimode Fiber:
Step Index

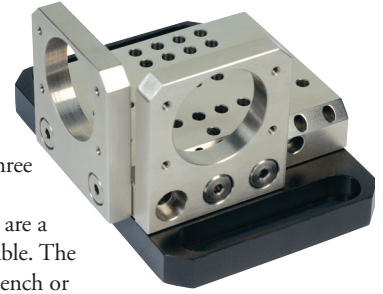
Plastic Optical Fiber

Wall Plates



- For Mounting PAF Fiber Coupler to Fiber Benches and FiberTables
- Mounting Screws Included

The HCA and HCA3 Wall Plates are one of three basic building blocks for any FiberBench or FiberTable system. The other two components are a FiberPort and either a FiberBench or a FiberTable. The wall plates are attached to the sides of a FiberBench or FiberTable (as shown in the figure to the right) using the two included 8-32 mounting screws. Then the FiberPort can be attached to the wall plate (using the four 2-56 screws included) The HCA can be used to mount the FiberPort in all situations except when two FiberPorts are being mounted on a FiberTable corner as shown in the picture to the right. In this case, an HCA3 is needed to allow the second FiberPort to be mounted tight to the corner.



ITEM#	\$	£	€	RMB	DESCRIPTION
HCA	\$ 45.00	£ 28.40	€ 41.90	¥ 429.80	2-Hole FiberBench Wall Plate
HCA3	\$ 45.00	£ 28.40	€ 41.90	¥ 429.80	3-Hole FiberBench Wall Plate

Variable Polarization Splitter Kit

A half-wave retarder will rotate the input polarization orientation from a PM fiber. By changing the orientation, the ratio of the vertical to horizontal state of polarization (SOP) is changed, which will then affect how much signal is transmitted and reflected. The split ratio is continuously variable from 0 to 40dB.*

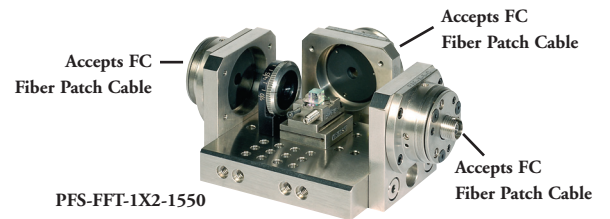
*Dependent on Polarization Extinction Ratio from the input PM fiber.

Features

- Mechanical and Thermal Stability
- Continuously Variable Split Ratio

ITEM#	\$	£	€	RMB
PFS-FFT-1X2-1550	\$ 2,650.00	£ 1,669.50	€ 2,464.50	¥ 25,307.50

VARIABLE POLARIZATION SPLITTER



The kit is supplied assembled but not aligned. It is intended for use with either our broad selection of patch cables (see pages 1058-1060) or customer supplied patch cables.

Includes:

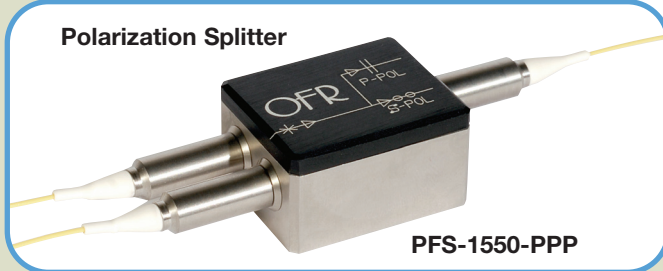
- x1 FiberBench
- x1 Half Wave Retarder
- x2 FiberPort
- x2 Quarter Wave Retarder

Visit www.thorlabs.com For Mechanical Drawings and Our New Solid Models



OEM Fiber Components Production Services

The FiberBench product line is an excellent system for product prototyping and development. As the product design matures, we can further develop the product into a finished, packaged, commercial component. Contact tech support for information.



Example Custom Systems

- Polarization Splitters
- Polarization Neutral Splitters
- Polarization Extinction Measurement Splitters
- PM, SM, and Multimode Fiber Models