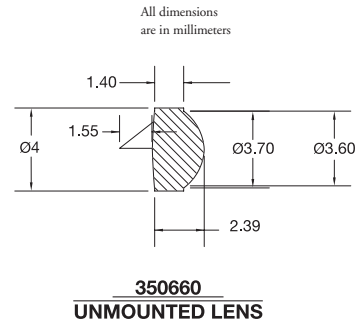
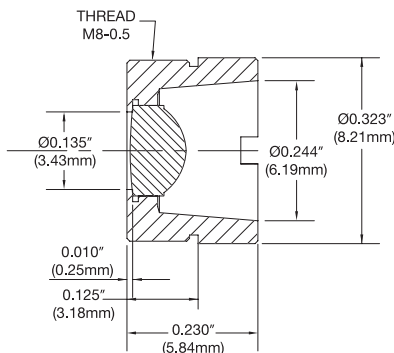




Optics

- Optical Systems
- PPLN Devices
- Spherical Singlets
- Multi-element Lenses
- Cylindrical Lenses
- Aspheric Lenses
- Mirrors
- Windows & Diffusers
- Prisms
- Gratings
- Diffraction Optics
- Polarization Optics
- Beamsplitters
- Filters & Attenuators
- Gas Cells

350660 f=2.97mm 0.60 NA



C660TM
MOUNTED LENS

Geltech™ Molded Glass Aspheric Collimator Lens

Optical Design Specifications

- Design Wavelength: 1550nm
- Numerical Aperture: 0.60
- Clear Aperture: 3.60mm
- Effective Focal Length: 2.97mm
- Working Distance: 1.56mm
- Magnification: infinite
- RMS WFE (axial @ 632.8nm)¹: <diff. lim.
- Glass (Corning): C0550

¹ Averaged over full aperture

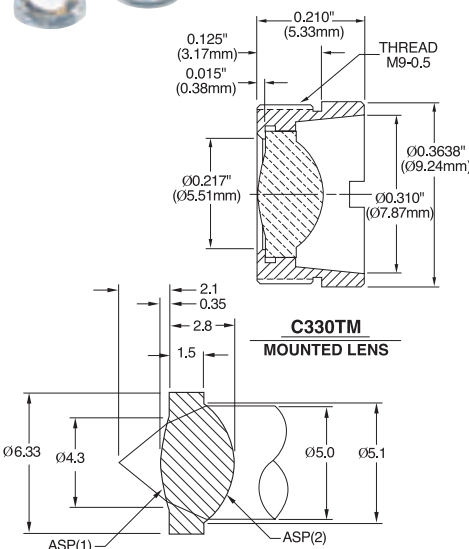
Lens Only (Price includes AR Coating)

ITEM #	\$	£	€	¥	DESCRIPTION
350660-A	\$ 82.00	£ 61.50	€ 86,10	¥ 13,940	Lens, AR Coated 400 - 600nm
350660-B	\$ 82.00	£ 61.50	€ 86,10	¥ 13,940	Lens, AR Coated 600 - 1050nm
350660-C	\$ 82.00	£ 61.50	€ 86,10	¥ 13,940	Lens, AR Coated 1050 - 1600nm

Mounted (Price includes optic, housing & AR Coating)

ITEM #	\$	£	€	¥	DESCRIPTION
C660TM-A	\$ 86.00	£ 64.50	€ 90,30	¥ 14,620	Mounted Lens, AR Coated 400 - 600nm
C660TM-B	\$ 86.00	£ 64.50	€ 90,30	¥ 14,620	Mounted Lens, AR Coated 600 - 1050nm
C660TM-C	\$ 86.00	£ 64.50	€ 90,30	¥ 14,620	Mounted Lens, AR Coated 1050 - 1600nm

350330 f=3.1mm 0.68 NA



350330
UNMOUNTED LENS All dimensions are in millimeters

Geltech™ Molded Glass Aspheric Lens

Optical Design Specifications

- Design Wavelength: 830nm
- Numerical Aperture: 0.68
- Clear Aperture: 5.0mm
- Effective Focal Length: 3.1mm
- Magnification: infinite
- RMS WFE (axial @ 632.8nm)¹: <diff. lim.
- Glass (Corning): C0550

¹ Averaged over full aperture

Aspheric Lens Design Equation Available on our website:
www.thorlabs.com

Lens Only (Price includes AR Coating)

ITEM #	\$	£	€	¥	DESCRIPTION
350330-A	\$ 82.00	£ 61.50	€ 86,10	¥ 13,940	Lens, AR Coated 400 - 600nm
350330-B	\$ 82.00	£ 61.50	€ 86,10	¥ 13,940	Lens, AR Coated 600 - 1050nm
350330-C	\$ 82.00	£ 61.50	€ 86,10	¥ 13,940	Lens, AR Coated 1050 - 1600nm

Mounted (Price includes optic, housing & AR Coating)

ITEM #	\$	£	€	¥	DESCRIPTION
C330TM-A	\$ 86.00	£ 64.50	€ 90,30	¥ 14,620	Mounted Lens, AR Coated 400 - 600nm
C330TM-B	\$ 86.00	£ 64.50	€ 90,30	¥ 14,620	Mounted Lens, AR Coated 600 - 1050nm
C330TM-C	\$ 86.00	£ 64.50	€ 90,30	¥ 14,620	Mounted Lens, AR Coated 1050 - 1600nm