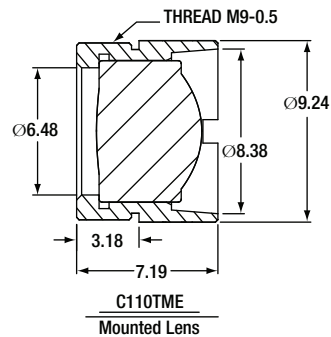
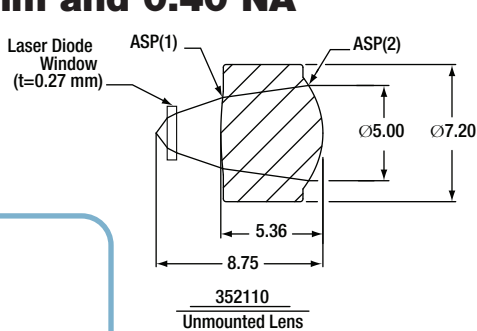


Please See Page 626 for AR Coating Curve

352110 f = 6.24 mm and 0.40 NA



Geltech™ Molded Glass Aspheric Collimator Lens

Optical Design Specifications

- Design Wavelength: 780 nm
- Numerical Aperture: 0.40
- Clear Aperture: Ø5.00 mm
- Effective Focal Length: 6.24 mm
- Working Distance: 3.39 mm
- Magnification: Infinite
- Laser Window Thickness: 0.275 mm
- Laser Window Material/Index: N-BK7/1.517
- RMS WFE (Axial @ 632.8 nm):* < Diffraction Limit
- Surface Quality: 40-20 Scratch-Dig
- Glass: ECO-550

*Wavefront error is averaged over full aperture
Geltech™ lenses are manufactured by LightPath® Technologies

1.06 µm V-Coating

1.06 µm V-Coating

Aspheric Coefficients

	R	k	A ₄	A ₆	A ₈	A ₁₀
ASP (1)	-14.45	-105.2321	-1.0593674E-03	7.6925867E-05	-	-
ASP (2)	4.33	-0.8468796	5.2151203E-04	-6.8766229E-06	-	-

All Dimensions are in Millimeters
Please refer to our website for complete models and drawings.

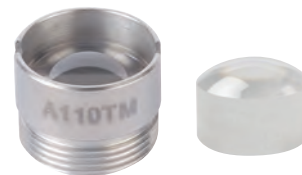
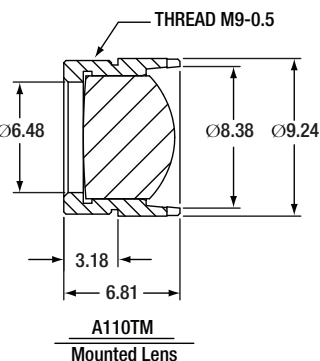
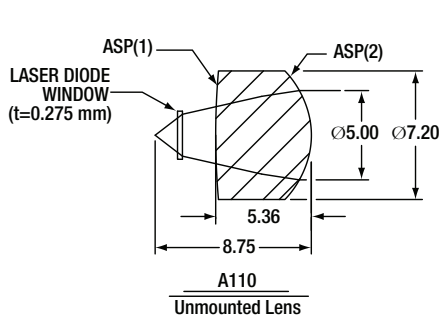
Unmounted, AR-Coated Aspheric Lenses

ITEM#	\$	£	€	RMB	DESCRIPTION
352110-A	\$ 82.00	£ 56.90	€ 72.90	¥ 692.50	Lens, AR-Coated: 350 - 700 nm
352110-B	\$ 82.00	£ 56.90	€ 72.90	¥ 692.50	Lens, AR-Coated: 650 - 1050 nm
352110-C	\$ 82.00	£ 56.90	€ 72.90	¥ 692.50	Lens, AR-Coated: 1050 - 1620 nm
352110-1064	\$ 82.00	£ 56.90	€ 72.90	¥ 692.50	Lens, AR-Coated: 1054 - 1074 nm

Mounted, AR-Coated Aspheric Lenses

ITEM#	\$	£	€	RMB	DESCRIPTION
C110TME-A	\$ 87.00	£ 60.40	€ 77.30	¥ 734.70	Mounted Lens, AR-Coated: 350 - 700 nm
C110TME-B	\$ 87.00	£ 60.40	€ 77.30	¥ 734.70	Mounted Lens, AR-Coated: 650 - 1050 nm
C110TME-C	\$ 87.00	£ 60.40	€ 77.30	¥ 734.70	Mounted Lens, AR-Coated: 1050 - 1620 nm
C110TME-1064	\$ 87.00	£ 60.40	€ 77.30	¥ 734.70	Mounted Lens, AR-Coated: 1054 - 1074 nm

A110 f = 6.24 mm and 0.42 NA



OEM's

Thorlabs stocks a large number of uncoated lenses. If your application requires a custom coating, please contact us directly for price and availability. Custom housings are also available.

All Dimensions are in Millimeters
Please refer to our website for complete models and drawings.

Aspheric Coefficients

	R	k	A ₄	A ₆	A ₈	A ₁₀
ASP (1)	-41.07	-	-	-	-	-
ASP (2)	4.76	-1.256813	7.7454040E-04	-1.9209200E-06	-1.7823120E-07	-

Unmounted, AR-Coated Aspheric Lenses

ITEM#	\$	£	€	RMB	DESCRIPTION
A110	\$ 77.00	£ 53.40	€ 68.40	¥ 650.20	Lens, Uncoated
A110-A	\$ 82.00	£ 56.90	€ 72.90	¥ 692.50	Lens, AR-Coated: 350 - 700 nm
A110-B	\$ 82.00	£ 56.90	€ 72.90	¥ 692.50	Lens, AR-Coated: 650 - 1050 nm
A110-C	\$ 82.00	£ 56.90	€ 72.90	¥ 692.50	Lens, AR-Coated: 1050 - 1620 nm

Mounted, AR-Coated Aspheric Lenses

ITEM#	\$	£	€	RMB	DESCRIPTION
A110TM	\$ 82.00	£ 56.90	€ 72.90	¥ 692.50	Mounted Lens, Uncoated
A110TM-A	\$ 87.00	£ 60.40	€ 77.30	¥ 734.70	Mounted Lens, AR-Coated: 350 - 700 nm
A110TM-B	\$ 87.00	£ 60.40	€ 77.30	¥ 734.70	Mounted Lens, AR-Coated: 650 - 1050 nm
A110TM-C	\$ 87.00	£ 60.40	€ 77.30	¥ 734.70	Mounted Lens, AR-Coated: 1050 - 1620 nm

Rochester Precision Molded Glass Aspheric Lens

Optical Design Specifications

- Design Wavelength: 780 nm
- Numerical Aperture: 0.42
- Clear Aperture: Ø5.00 mm
- Effective Focal Length: 6.24 mm
- Magnification: Infinite
- Laser Window Thickness: 0.275 mm
- Laser Window Material/Index: N-BK7/1.517
- RMS WFE (Typical):* 0.043 Waves
- Surface Quality: 40-20 Scratch-Dig
- Glass (CDGM): H-LAK54

*Wavefront error is averaged over full aperture