

## SM05-Compatible Fixed Focus Lens Adapter

- Allows Ø9.0 mm Aspheric Cells to be Mounted with Ø11.0 mm Collimation Packages
- Integrates Collimation Packages with Internally SM05-Threaded Components

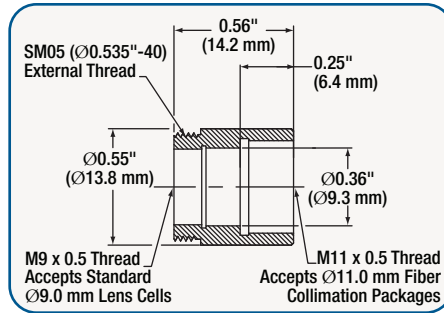


Aspheric Lens Sold Separately

The AD1109F adapter allows the user to mount a Ø9.0 mm aspheric lens cell to the output of our Ø11.0 mm threaded fiber optic collimation packages. It has internal M11 x 0.5 and M9 x 0.5 threads and external SM05 (Ø0.535"-40) threads, providing a convenient way to mount the F220, F230, and F260 collimation packages within our SM05 lens tube systems. Combine the AD1109F with the SM1A6 adapter to place the collimation packages in an SM1 threaded lens tube or lens mount.



AD1109F



ITEM#	\$	£	€	RMB	DESCRIPTION
AD1109F	\$ 29.00	£ 20.20	€ 25,80	¥ 244.90	SM05 Lens Adapter

## SM1-Compatible Fiber Collimation Package Adapter

The AD collimator adapters are designed to mount our fiber collimation packages and large-beam collimators in components with internal SM1 threads such as lens tubes. The collimators are secured with two setscrews. All adapters are designed such that the collimators are aligned with the lens systems' optical axis.



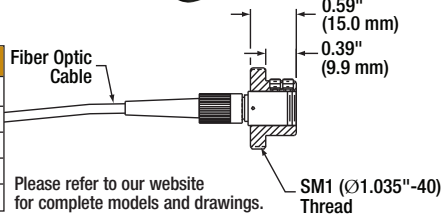
AD11F



AD11F

Fiber and Optic Sold Separately

ITEM#	\$	£	€	RMB	DESCRIPTION
AD8F	\$ 27.50	£ 19.10	€ 24,50	¥ 232.30	SM1 to Ø8 mm Collimation Adapter
AD9.5F	\$ 26.00	£ 18.10	€ 23,10	¥ 219.60	SM1 to Ø9.5 mm Collimation Adapter
AD11F	\$ 27.80	£ 19.30	€ 24,70	¥ 234.80	SM1 to Ø11 mm Collimation Adapter
AD12F	\$ 28.80	£ 20.00	€ 25,60	¥ 243.20	SM1 to Ø12 mm Collimation Adapter
AD15F	\$ 29.90	£ 20.80	€ 26,60	¥ 252.50	SM1 to Ø15 mm Collimation Adapter



## Unthreaded Fiber Collimator Adapter

- **AD11NT:** 1.00" (25.4 mm) External Diameter, Ø11.0 mm (Ø0.43") Internal Bore
- **AD12NT:** 1.00" (25.4 mm) External Diameter, Ø12.0 mm (Ø0.47") Internal Bore
- **AD15NT:** 1.00" (25.4 mm) External Diameter, Ø15.0 mm (Ø0.59") Internal Bore

The AD11NT and AD12NT are designed to mount Ø11.0 mm and Ø12.0 mm collimation packages, respectively, within Ø1.00" optical mounts. The AD15NT is designed to mount our F810 and LT Series of Collimation Packages within Ø1.00" mounts. The adapter has a 1.00" outer diameter and a double-bored center hole. Two nylon-tipped setscrews are used to secure the collimation package within the adapter so that its optical axis is coincident with the center of the mating component.

ITEM#	\$	£	€	RMB	DESCRIPTION
AD11NT	\$ 23.80	£ 16.50	€ 21,20	¥ 201.00	Ø11 mm Collimation to Ø1" Adapter
AD12NT	\$ 24.80	£ 17.20	€ 22,10	¥ 209.50	Ø12 mm Collimation to Ø1" Adapter
AD15NT	\$ 25.90	£ 18.00	€ 23,00	¥ 218.80	Ø15 mm Collimation to Ø1" Adapter



AD11NT



AD12NT



AD15NT

**NEW**  
products

**Mechanical**  
Drawings Available on the  
**WEB**

## GRIN Fiber Collimator Adapter



SM1PT

- Ø0.14" (Ø3.6 mm) Center Hole
- External SM1 (Ø1.035"-40) Thread
- Nylon-Tipped Locking Setscrew



The SM1PT GRIN lens holder has been designed to mount our series of GRIN fiber collimators into our SM1 Series lens tubes. The mount allows coupling of light from the GRIN lens into a lens tube system with the optical axis of the GRIN lens aligned to that of the lens tube. The mount is equipped with a nylon-tipped setscrew to secure the GRIN collimator in place.

ITEM#	\$	£	€	RMB	DESCRIPTION
SM1PT	\$ 29.60	£ 20.60	€ 26,30	¥250.00	GRIN Fiber Collimator Adapter