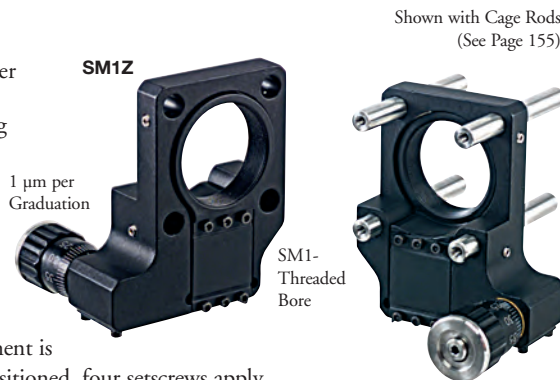


Z-Axis Translation Mount

- Cage Assembly Z Translator
- Graduated Adjuster Knobs (50 Divisions per Revolution)
- 1.5 mm Fine Travel, 1 µm per Graduation
- One SM1RR Retaining Ring Included

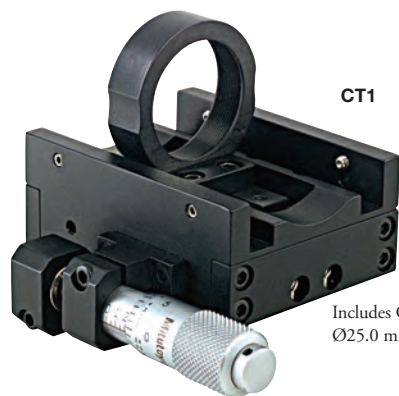
The flexure design of our SM1Z Translation Mount provides 1.5 mm of travel along the optical axis of our Cage Assembly System. The flexure approach ensures stable, highly repeatable translation. The translating carriage, threaded with our SM1 (Ø1.035"-40) thread, can directly accept Ø1" optics up to 0.18" (4.6 mm) thick. Thicker optics can be mounted using our SM1 Series Lens Tubes (see page 123). Coarse movement is achieved by sliding the SM1Z along the rods of a cage assembly. Once positioned, four setscrews apply locking force to the cage rods, firmly holding the mount in place. Fine movement of the lens carriage is accomplished with the precision micrometer head actuator. The actuator knob is graduated in 1 µm increments with a total of 50 increments per revolution.



Shown with Cage Rods (See Page 155)

ITEM#	\$	£	€	RMB	DESCRIPTION
SM1Z	\$ 176.80	£ 122.60	€ 157.00	¥ 1,493.00	Z-Axis Translation Mount
SM1RR	\$ 4.50	£ 3.10	€ 4.00	¥ 38.00	SM1 (Ø1.035"-40) Retaining Ring

Cage Translation Stage: 1/2" (12.7 mm) Travel



CT1

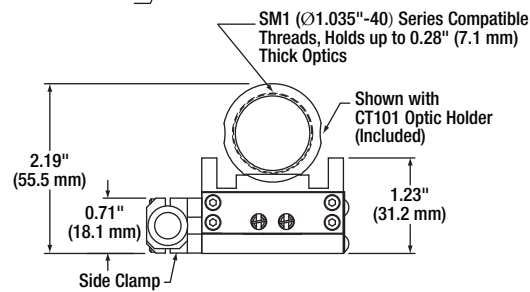
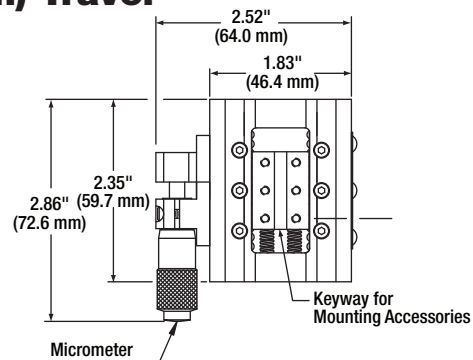
See Next Page
for Mounting

Includes CT101 Ø1" (Ø25.4 mm) or Ø25.0 mm Optic Mount and Retaining Ring

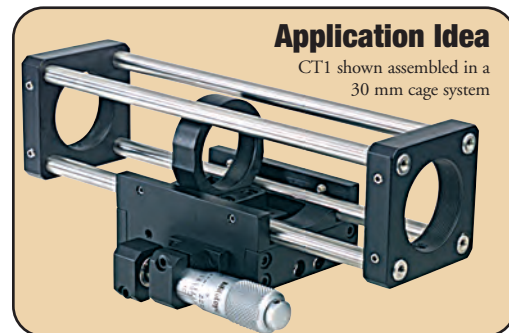
The CT1 Cage Translation Mount is designed to be utilized in 30 mm Cage Systems that require translation along the optical axis of the cage. Precision linear bearings are used to ensure smooth, high-resolution motion. A micrometer provides 1/2" (12.7 mm) of linear translation and has 10 µm (0.001") graduations. The smallest incremental movement of the carriage is approximately 1 µm.

The mounting surface contains a keyway for precise alignment of CT Series Accessories. The CT1's modular design allows the series of accessories featured on the next page to be mounted to the movable carriage. Optics up to 0.28" (7.1 mm) thick can be held in the stage using the included SM1RR Retaining Ring.

- 1/2" (12.7 mm) of Stage Travel
- <150 µrad of Angular Deviation
- 0.001" (10 µm) Micrometer Drive Graduation
- Linear Ball Bearing System
- Lockable Design
- Carriage Design for Interchangeable Accessories



Please refer to our website for complete models and drawings.



Application Idea

CT1 shown assembled in a 30 mm cage system

ITEM#	\$	£	€	RMB	DESCRIPTION
CT1	\$ 398.00	£ 276.00	€ 353.40	¥ 3,360.80	Cage Translation Stage, 1/2" (12.7 mm) Travel Micrometer Drive
SM1RR	\$ 4.50	£ 3.10	€ 4.00	¥ 38.00	SM1 (Ø1.035"-40) Retaining Ring

Cage Translation Stage Accessories

CT101



Ø1" or Ø25 mm Optic Mount

- Compatible with CT1 Cage Translator and MS Series Translation Stages
- Directly Mounts Standard Ø1" or Ø25.0 mm Optics up to 0.28" (7.1 mm) Thick
- Compatible with Our Line of SM1 (Ø1.035"-40) Lens Tubes

The CT101 accessory allows SM1-threaded devices or Ø1" (Ø25 mm) optics to be mounted to the CT1 Cage-Compatible Translator or our MS series of translation stages. One SM1RR is included.



ITEM#	\$	£	€	RMB	DESCRIPTION
CT101*	\$ 41.00	£ 28.50	€ 36,50	¥ 346.30	Ø1.0" Optic and SM1 Series Lens Tube Compatible
SM1RR	\$ 4.50	£ 3.10	€ 4,00	¥ 38.00	SM1 (Ø1.035"-40) Retaining Ring

*One SM1RR Retaining Ring is included with each unit.

XY Translator

- Wobble: <100 µrad
- X & Y Translation: ±1 mm
- Resolution: 250 µm/rev
- Compatible with Ø1/2" (Ø12.7 mm) Optics up to 0.40" (10.0 mm) Thick
- Compatible with Our Line of SM05 Accessories

The CT102 XY Translator provides ±1 mm of travel and accepts any SM05-threaded component or Ø1/2" (Ø12.7 mm) optic up to 0.40" (10.0 mm) thick. This device is ideal for aligning an optic with the optical axis of a system. This XY translator is compatible with the MS Series of Translation Stages as well as the CT1 Cage Translator. One SM05RR retaining ring is included with each unit.



ITEM#	\$	£	€	RMB	DESCRIPTION
CT102*	\$ 171.00	£ 118.60	€ 151,90	¥ 1,444.00	XY Mount, SM05 Compatible, ±1 mm Travel
SM05RR*	\$ 3.75	£ 2.60	€ 3,40	¥ 31.70	SM05 (Ø0.535"-40) Retaining Ring

*One SM05RR Retaining Ring is included with each unit.

Blank Mount

- Ideal for Custom Machining
- Center-Drilled Dimple Locates Optical Axis for Precise Machining
- Compatible with the CT1 Cage Translator and the MS Series of Translation Stages

The CT103 Blank Mount has a solid surface to allow the user to tailor the mount for custom applications. A center-drilled dimple is provided to help with alignment along the optical axis during the machining process.



ITEM#	\$	£	€	RMB	DESCRIPTION
CT103	\$ 36.00	£ 25.00	€ 32,00	¥ 304.00	Customizable Blank Mount

CT103

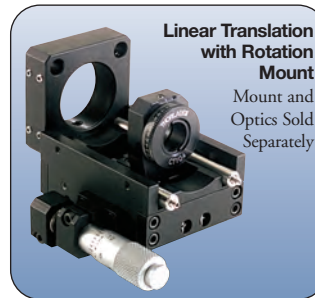


CT104



Rotation Mount

- Coarse Rotation: 360° Continuously Adjustable
- Graduations: 2° Increments
- Beam Height: 0.72" (18.2 mm) to Center of Cage
- Runout: <0.0001" (25 µm) Along Optical Axis
- Clear Aperture: Ø0.43" (Ø10.9 mm) Max.
- Directly Mounts Ø1/2" (Ø12.7 mm) Optics up to 0.29" (7.4 mm) Thick
- Lockable Design



ITEM#	\$	£	€	RMB	DESCRIPTION
CT104*	\$ 80.00	£ 55.50	€ 71,10	¥ 675.60	Rotation Mount, SM05 Compatible
SM05RR	\$ 3.75	£ 2.60	€ 3,40	¥ 31.70	SM05 (Ø0.535"-40) Retaining Ring

*One SM05RR Retaining Ring is included with each unit.