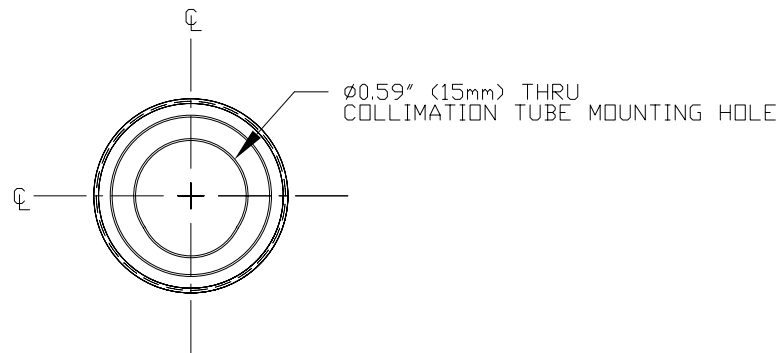
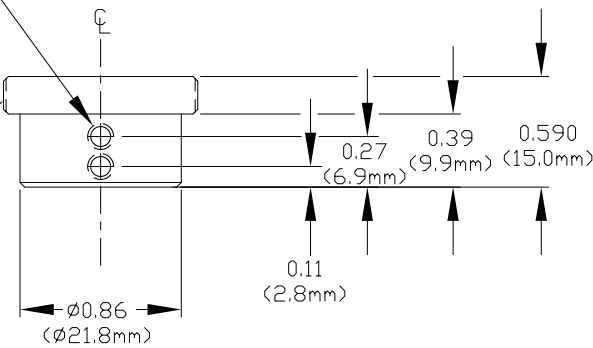


#6-32 TAPPED HOLE TO SECURELY FASTEN COLLIMATION TUBES (2 PLACES)

SM1 THREADS (103.5-40)



<b>THORLABS</b>		PO BOX 366 NEWTON NJ	
TITLE SM1 COLLIMATION TUBE ADAPTER			
TOL: X.XXX=+/-0.005 X.XX=+/-0.010 ANGULAR +/-30'			
SURF. FINISH: 32 MICROINCHES UNLESS OTHERWISE NOTED			
DRAWN JMM	ENGINEER JMM	APPROVED JMM	
MATERIAL 6061-T6 ALLUMINUM			
DATE 10/29/01	REV A	SIZE A	SHEET 1 OF 1 DRAWING SCALE 1" = 1"
DWG NO. 6205-E01		PART NO. AD15F	