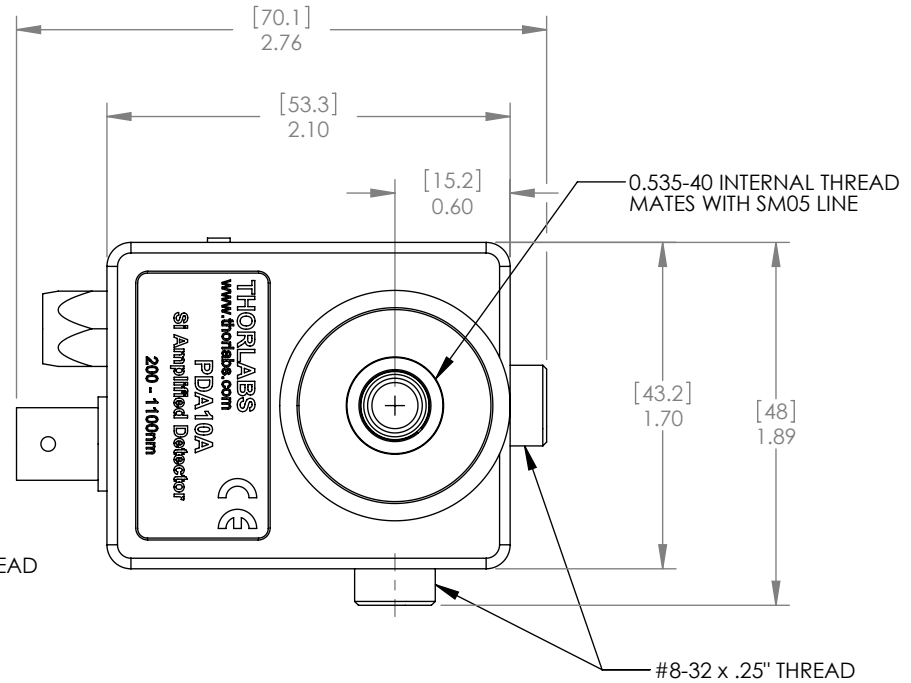
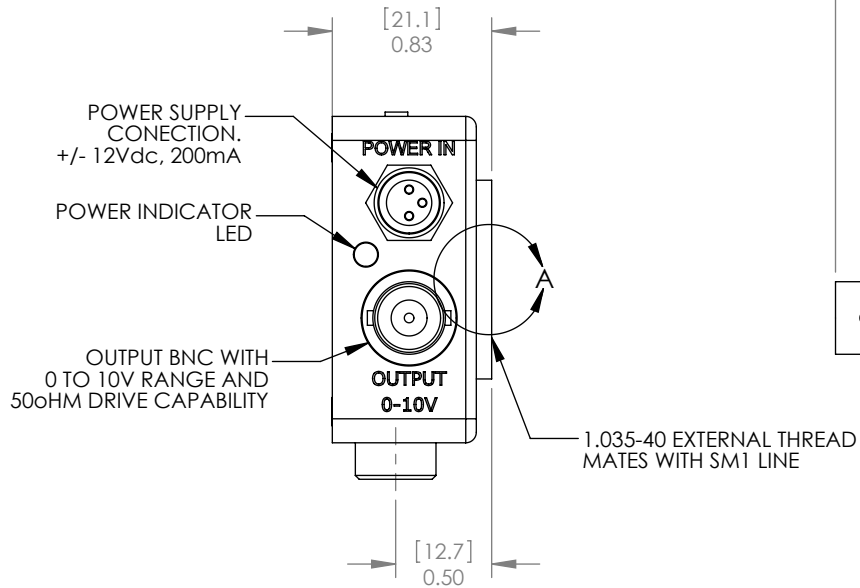
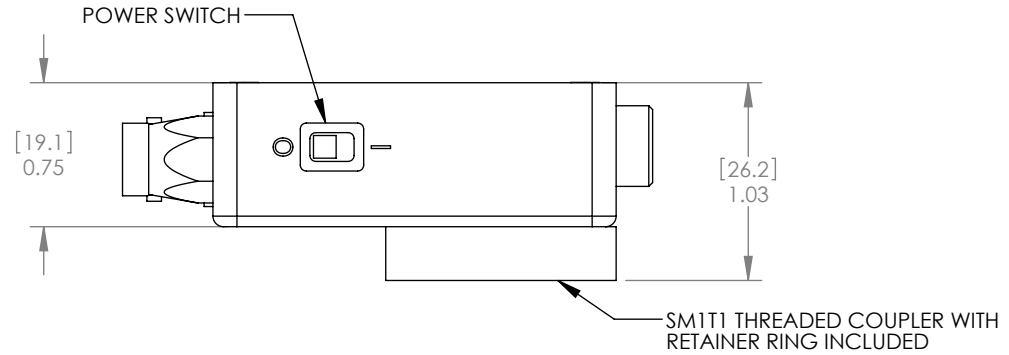


DETAIL A
SCALE 2:1



THORLABS INC. PO BOX 366
NEWTON NJ

	NAME	DATE
DRAWN	EC	9/26/05
ENG APPR.	EC	9/26/05
MFG APPR.	EC	9/26/05

PROPRIETARY AND CONFIDENTIAL
THE INFORMATION CONTAINED IN THIS DRAWING IS THE SOLE PROPERTY OF THORLABS, INC. ANY REPRODUCTION IN PART OR AS A WHOLE WITHOUT THE WRITTEN PERMISSION OF THORLABS, INC. IS PROHIBITED.

TITLE:
WIDEBAND Si AMPLIFIED DETECTOR

MATERIAL: PDA10A SIZE A REV. B

SCALE: 1:1 SHEET 1 OF 1

DWG. NO. 13054-E01 PART NO. PDA10A